

JVC

SERVICE MANUAL

STEREO INTEGRATED AMPLIFIER

MODEL No. **AX-550BK**



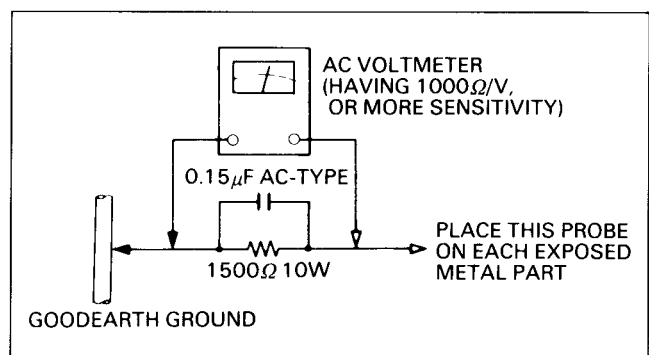
Contents

	Page		Page
Safety Precautions	1-2	Adjustment Procedures.....	1-8
Front Panel	1-3	Schematic Diagram.....	Insertion
Operation.....	1-4	Connection Diagram.....	Insertion
Specifications.....	1-5	Parts List	Separate Volume Insertion
Block Diagram	1-6	Internal Block Diagrams of ICs	1-9
Removal Procedures.....	1-7		

Safety Precautions

1. The design of this product contains special hardware and many circuits and components specially for safety purposes.
For continued protection, no changes should be made to the original design unless authorized in writing by the manufacturer. Replacement parts must be identical to those used in the original circuits. Service should be performed by qualified personnel only.
2. Alterations of the design or circuitry of the product should not be made. Any design alterations or additions will void the manufacturer's warranty and will further relieve the manufacturer of responsibility for personal injury or property damage resulting therefrom.
3. Many electrical and mechanical parts in the product have special safety-related characteristics. These characteristics are often not evident from visual inspection nor can the protection afforded by them necessarily be obtained by using replacement components rated for higher voltage, wattage, etc. Replacement parts which have these special safety characteristics are identified in the Parts List of Service Manual. Electrical components having such features are identified by shading on the schematics and by (Δ) on the Parts List in the Service Manual. The use of a substitute replacement which does not have the same safety characteristics as the recommended replacement part shown in the Parts List of Service Manual may create shock, fire, or other hazards.
4. The leads in the products are routed and dressed with ties, clamps, tubings, barriers and the like to be separated from live parts, high temperature parts, moving parts and/or sharp edges or the prevention of electric shock and fire hazard.
When service is required, the original lead routing and dress should be observed, and it should be confirmed that they have been returned to normal, after re-assembling.

5. Leakage current check
(Electrical shock hazard testing)
After re-assembling the product, always perform an isolation check on the exposed metal parts of the product (antenna terminals, knobs, metal cabinet, screw heads, headphone jack, control shafts, etc.) to be sure the product is safe to operate without danger of electrical shock.
Do not use a line isolation transformer during this check.
 - Plug the AC line cord directly into the AC outlet. Using a "Leakage Current Tester", measure the leakage current from each exposed metal part of the cabinet, particularly any exposed metal part having a return path to the chassis, to a known good earth ground. Any leakage current must not exceed 0.5 mA AC (r.m.s.).
 - Alternate check method.
Plug the AC line cord directly into the AC outlet. Use an AC voltmeter having 1,000 ohms per volt or more sensitivity in the following manner. Use an AC line cord directly into the AC outlet. Connect a 1,500 Ω 10 W resistor paralleled by a 0.15 μ F AC-type capacitor between an exposed metal part and a known good earth ground. Measure the AC voltage across the resistor with the AC voltmeter.
Move the resistor connection to each exposed metal part, particularly any exposed metal part having a return path to the chassis, and measure the AC voltage across the resistor. Now, reverse the plug in the AC outlet and repeat each measurement. Any voltage measured must not exceed 0.75 V AC (r.m.s.). This corresponds to 0.5 mA AC (r.m.s.).



CHECK THE VOLTAGE SELECTOR'S SETTING

(Except for U.S.A., Canada, Australia, U.K. and Continental Europe.)

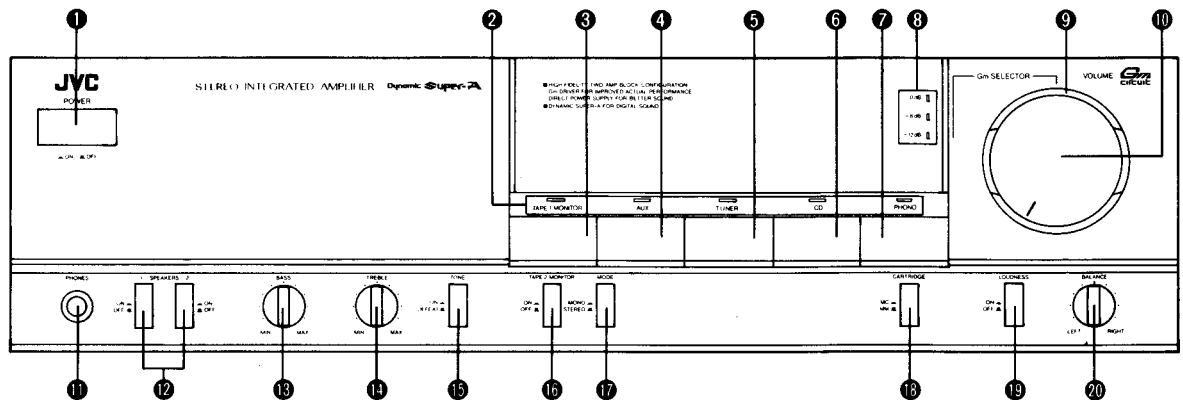
Before inserting the power plug, please check that the voltage selector's setting corresponds with the line voltage in your area. If it doesn't, be sure to reset the voltage selector before this equipment.

The voltage selector may be located on the rear or bottom of the unit, or underneath the platter.

CAUTION: Before setting the voltage selector to the proper voltage, disconnect the power plug.

FRONT PANEL

These instructions are prepared for three models: AX-330BK/AX-440BK/AX-550BK. Therefore, read the items below concerning each model.



1 POWER

ON (—): Press this button to turn the power on.
OFF (■): Set to this position to turn the power off.

Notes:

- When power is not supplied to this amplifier for 2 – 3 days, the source select button pressed before the power was switched on again. If this happens, set the buttons, etc. again.
- An electronic source selector is used in this unit. When the POWER button is first switched on, two or more sources or no source may be selected. Make sure to input the source select data by pressing one of the source selectors.
- If the POWER button is pressed repeatedly to switch on and off too quickly, the same phenomenon as the above will occur.

2 SOURCE INDICATOR

The indicator corresponding to the source select button pressed lights.

3 TAPE 1 MONITOR

Press to listen to a tape deck connected to the TAPE 1 terminals.

4 AUX

Press to listen to the source connected to the AUX terminals.

5 TUNER

Press to listen to radio broadcasts by a tuner connected to the TUNER terminals.

6 CD

Press to listen to the source connected to the CD terminals.

7 PHONO

Press to listen to records played by a turntable connected to the PHONO terminals.

8 Gm SELECTOR indicators (AX-550BK)

These indicators are illuminated according to the setting of the Gm SELECTOR.

0 dB: Set the Gm SELECTOR so that this indicator lights when listening to a high-volume level.

-6 dB: Set the Gm SELECTOR so that this indicator lights when listening to a middle-volume level.

-12 dB: Set the Gm SELECTOR so that this indicator lights when listening to a low-volume level.

9 Gm SELECTOR (AX-550BK)

Setting the Gm selector to -6 dB divides the volume at 0 dB by 4 while setting it to -12 dB divides it by 16. As the Gm selector is turned from 0 dB to -6 dB and -12 dB, residual noise becomes progressively less. Use the Gm selector together with the VOLUME control.

10 VOLUME

Controls the volume of the speakers and headphones.

11 PHONES (Headphones jack)

Plug stereo headphones into this jack for private listening.

12 SPEAKERS

Press to switch the speakers connected to the SPEAKERS 1 or 2 terminals on (—) and off (■).

Note: (AX-330BK, AX-440BK)

- When speakers are connected to only one pair of SPEAKERS terminals, press only the SPEAKERS button of the system connected; if both buttons are pressed, sound will not be heard from either speaker system. When two pairs of speakers are connected and either or both SPEAKERS buttons is/are pressed, sound will be heard from either or both speaker system(s).

13 BASS

Turn clockwise to boost bass response and counterclockwise to decrease it.

14 TREBLE

Turn clockwise to boost treble response and counterclockwise to decrease it.

15 TONE (AX-440BK, AX-550BK)

ON (—): Press to adjust the tone with the BASS and TREBLE controls.

DEFEAT (■): Press to this position to obtain a standard (flat) frequency response.

16 TAPE 2 MONITOR

ON (—): Set to this position to listen to the tape deck connected to the TAPE 2 terminals of this unit. If your tape deck is of the 3-head type, you can monitor the recorded sound while recording by setting this button to ON.

OFF (■): Keep this button set to this position, except when you want to listen to the tape deck connected to the TAPE 2 terminals of this unit.

17 MODE (AX-440BK, AX-550BK)

MONO (—): Set to this position to have both speakers produce the sound of both the left- and right-channel signals mixed.

STEREO (■): Normally set to this position.

18 CARTRIDGE (AX-440BK, AX-550BK)

MC (—): Press in when using an MC cartridge having an output of less than 0.5 mV.

MM (■): Press again when using an MM or MC cartridge having an output of more than 0.5 mV.

19 LOUDNESS

ON (—): To compensate for the ear's lower sensitivity at low listening levels.

OFF (■): To bypass the LOUDNESS circuit.

20 BALANCE

Balances the volume between the left and right speakers. Usually set it to the center click position.

OPERATION

Before operation, always be sure to set **VOLUME** at minimum.

When the volume is increased after selecting a source position with no equipment connected to the input terminal, other connected devices (such as speakers) may be adversely affected by external noise and inductive hum.

Listening to broadcasts

1. Connect a tuner to the TUNER terminals on the rear panel.
2. Press the POWER button on.
3. Press the TUNER button and make sure that the TAPE 1 MONITOR and TAPE 2 MONITOR buttons are set to off.
4. Select the speaker system with the SPEAKERS switches.
5. Operate the tuner according to its instruction manual.
6. Adjust the VOLUME, LOUDNESS, BALANCE and BASS/TREBLE controls.

Listening to records

1. Connect a turntable to the PHONO terminals on the rear panel.
2. Press the POWER button on.
3. Set the CARTRIDGE button of this unit according to the cartridge in use. (AX-440BK, AX-550BK)
4. Press the PHONO button and make sure that the TAPE 1 MONITOR and TAPE 2 MONITOR buttons are set to off.
5. Select the speaker system with the SPEAKERS switches.
6. Operate the turntable according to its instruction manual.
7. Adjust the VOLUME, LOUDNESS, BALANCE and BASS/TREBLE controls.

Listening to tapes

To listen to the tape deck connected to the TAPE 1 or TAPE 2 terminals.

1. Connect a tape deck to the PLAY terminals of TAPE 1 or TAPE 2.
2. Press the POWER button on.
3. Press the TAPE 1 MONITOR button to play back the TAPE 1 deck. For playback of the TAPE 2 deck, press the TAPE 2 MONITOR button to ON (—).
4. Select the speaker system with the SPEAKERS switches.
5. Operate the tape deck for playback according to its instruction manual.
6. Adjust the playback sound controls as required.

Note:

- Do not place the tape deck directly on the amplifier, because it may cause the amplifier to malfunction.

Using stereo headphones

Stereo headphones can be plugged into the front panel jack. Plugging headphones into the PHONES jack does not switch off the speaker sound.

Recording tapes

To record from disc sources on to a tape deck.

1. Connect a tape deck to the REC terminals of the TAPE 1 or TAPE 2 terminals.
2. Press the POWER button on.
3. Select a speaker system if you wish to hear the sound while recording.
4. Press the PHONO button.
5. Operate the turntable.
6. Operate the tape deck for recording.

To record from other sources (TUNER, CD, AUX)

Press the TUNER, CD or AUX button to record radio broadcasts, or the source connected to the CD, AUX terminals.

All other operations are identical to when recording from disc source.

Tape dubbing

Dubbing from the TAPE 1 to TAPE 2 is carried out as follows:

1. Press the TAPE 1 MONITOR button.
2. Play back the TAPE 1 deck.
3. Operate the TAPE 2 deck for recording.

Notes:

- You can also monitor the sound being recorded with headphones.
- The sound you hear from the speakers or headphones is the source sound, not that being recorded on the tape.
- Dubbing from TAPE 2 to TAPE 1 is not possible.
- The VOLUME control of this amplifier has no effect on the recording level. Adjust the recording level with the controls on the tape deck.
- While playing back a tape on the tape deck (to which the TAPE 2 terminals of this unit are connected), you cannot record the sources from other components.

How to operate the monitor while recording on the tape deck

1. Connect a 3-head tape deck to the TAPE 1 or TAPE 2 terminals.
2. Make sure to connect the signal cords to the PLAY and REC terminals.
3. Select the source from which you want to record by depressing the source select button on this unit.
4. Operate the tape deck for recording as described in its operating manual.
5. By playing the source component, you can record on the tape deck.
6. While recording on the tape deck, the recorded sound can be heard by depressing the TAPE 1 MONITOR or TAPE 2 MONITOR button on this unit.

Use of S.E.A. Graphic Equalizer

The S.E.A. Graphic Equalizer is JVC's exclusive tone control system. By allowing you to independently boost or lower the response of finely divided sections of the frequency spectrum, the S.E.A. gives you much greater control over the sound quality of your stereo system. With an optionally available S.E.A. Graphic Equalizer, you can tailor the sound to your own taste for different types of music or to compensate for the particular acoustic characteristics of your audio components and listening room.

The TAPE 2 terminals of the AX-330BK, AX-440BK or AX-550BK can be used for connecting the S.E.A. Graphic Equalizer.

TROUBLESHOOTING

What appears to be a malfunction may not always be serious.

Make sure first

No sound and no light

Is the AC plug connected properly?
Are the connections made correctly?

No sound from speakers

Are speaker cords connected?
Are the SPEAKERS buttons correctly set?
Is the VOLUME control properly set?
Is your source component correctly set?

Sound from one speaker only

Are speaker cords connected correctly?
Is BALANCE control set to one extreme or the other?

Loud hum during record playing

Is turntable grounded?

Try to change cord path.

Howling noise during record playing

Is turntable too close to a speaker?

SPECIFICATIONS

AX-330BK

OVERALL CHARACTERISTICS

Output power : 60 watts per channel into 8 ohms at 1 kHz (DIN).
 55 watts per channel, min. RMS, both channels driven, into 8 ohms from 20 Hz to 20 kHz, with no more than 0.007 % total harmonic distortion.
 55 watts per channel, min. RMS, both channels driven, into 8 ohms at 1 kHz with no more than 0.003 % total harmonic distortion. (measured by JVC Audio Analyzer System)

Total harmonic distortion : 0.007 % (20 Hz – 20 kHz, 8 ohms) at 55 watts
 Intermodulation distortion : 0.007 % (60 Hz : 7 kHz = 4 : 1, 8 ohms) at 55 watts
 Power band width : 5 Hz – 50 kHz (IHF, 0.05 %, 8 ohms both channels driven)
 Frequency response : 5 Hz – 80 kHz +0, -3 dB (8 ohms)
 Damping factor : 35 (1 kHz, 8 ohms)

Input terminals
 Input sensitivity/impedance (1 kHz)
 PHONO : 2.5 mV/47 kohms
 CD/AUX/TUNER/ TAPE 1, 2 : 150 mV/43 kohms

Signal-to-noise ratio
 PHONO : 71 dB ('66 IHF)
 CD/AUX/TUNER/ TAPE 1, 2 : 100 dB ('66 IHF)
 PHONO : 80 dB ('78 IHF) (REC OUT)
 CD/AUX/TUNER/ TAPE 1, 2 (SP OUT) : 76 dB ('78 IHF)
 PHONO : 67 dB (DIN)
 CD/AUX/TUNER/ TAPE 1, 2 : 68 dB (DIN)

Tone controls : TREBLE: +8 ±1 dB -8 ±1 dB (at 10 kHz)
 BASS: +8 ±1 dB -8 ±1 dB (at 100 Hz)

Loudness controls : +6 dB (at 100 Hz) (Volume control at -30 dB position) +4 dB (at 10 kHz)

EQUALIZER
 PHONO overload capacity
 PHONO : 100 mV (0.02 % THD)
 PHONO RIAA deviation
 PHONO : ±0.5 dB (20 Hz – 20 kHz)

Recording output
 Output level/impedance
 TAPE REC-1, 2 : 150 mV/2 kohms

GENERAL
 Dimensions : 435(W) x 117(H) x 306(D) mm (17-3/16" x 4-5/8" x 12-1/16")
 Weight : 5.7 kg (12.6 lbs.)

Design and specifications subject to change without notice.

AX-440BK

OVERALL CHARACTERISTICS

Output power : 85 watts per channel into 8 ohms at 1 kHz (DIN).
 75 watts per channel, min. RMS, both channels driven, into 8 ohms from 20 Hz to 20 kHz, with no more than 0.007 % total harmonic distortion.
 80 watts per channel, min. RMS, both channels driven, into 8 ohms at 1 kHz with no more than 0.003 % total harmonic distortion. (measured by JVC Audio Analyzer System)

Total harmonic distortion : 0.007 % (20 Hz – 20 kHz, 8 ohms) at 75 watts
 Intermodulation distortion : 0.007 % (60 Hz : 7 kHz = 4 : 1, 8 ohms) at 75 watts
 Power band width : 5 Hz – 50 kHz (IHF, 0.05 %, 8 ohms both channels driven)
 Frequency response : 5 Hz – 90 kHz +0, -3 dB (8 ohms)
 Damping factor : 50 (1 kHz, 8 ohms)

Input terminals
 Input sensitivity/impedance (1 kHz)
 PHONO (MM) : 2.5 mV/47 kohms
 PHONO (MC) : 200 μV/100 ohms
 CD/AUX/TUNER/ TAPE 1, 2 : 200 mV/43 kohms

Signal-to-noise ratio
 PHONO (MM) : 86 dB ('66 IHF)
 PHONO (MC) : 67 dB ('66 IHF)
 CD/AUX/TUNER/ TAPE 1, 2 : 101 dB ('66 IHF)
 PHONO (MM) : 82 dB ('78 IHF) (REC OUT)
 PHONO (MC) : 75 dB ('78 IHF) (REC OUT)
 CD/AUX/TUNER/ TAPE 1, 2 (SP OUT) : 76 dB ('78 IHF)
 PHONO (MM) : 67 dB (DIN)
 PHONO (MC) : 67 dB (DIN)
 CD/AUX/TUNER/ TAPE 1, 2 : 68 dB (DIN)

Tone controls : TREBLE: +8 ±1 dB -8 ±1 dB (at 10 kHz)
 BASS: +8 ±1 dB -8 ±1 dB (at 100 Hz)

Loudness controls : +6 dB (at 100 Hz) (Volume control at -30 dB position) +4 dB (at 10 kHz)

EQUALIZER
 PHONO overload capacity
 PHONO (MM) : 100 mV (0.02 % THD)
 PHONO (MC) : 8 mV (0.04 % THD)
 PHONO RIAA deviation
 PHONO (MM) : ±0.3 dB (20 Hz – 20 kHz)
 PHONO (MC) : ±0.5 dB (20 Hz – 20 kHz)

Recording output
 Output level/impedance
 TAPE REC-1, 2 : 200 mV/1.8 kohms

GENERAL
 Dimensions : 435(W) x 117(H) x 306(D) mm (17-3/16" x 4-5/8" x 12-1/16")
 Weight : 6.4 kg (14.1 lbs.)

Design and specifications subject to change without notice.

AX-550BK

OVERALL CHARACTERISTICS

Output power : 100 watts per channel into 8 ohms at 1 kHz (DIN).
 90 watts per channel, min. RMS, both channels driven, into 8 ohms from 20 Hz to 20 kHz, with no more than 0.007 % total harmonic distortion.
 90 watts per channel, min. RMS, both channels driven, into 8 ohms at 1 kHz with no more than 0.003 % total harmonic distortion. (measured by JVC Audio Analyzer System)

Total harmonic distortion : 0.007 % (20 Hz – 20 kHz, 8 ohms) at 90 watts
 Intermodulation distortion : 0.007 % (60 Hz : 7 kHz = 4 : 1, 8 ohms) at 90 watts
 Power band width : 5 Hz – 50 kHz (IHF, 0.05 %, 8 ohms both channels driven)
 Frequency response : 5 Hz – 100 kHz +0, -3 dB (8 ohms)
 Damping factor : 60 (1 kHz, 8 ohms)

Input terminals
 Input sensitivity/impedance (1 kHz)
 PHONO (MM) : 2.5 mV/47 kohms
 PHONO (MC) : 200 μV/100 ohms
 CD/AUX/TUNER/ TAPE 1, 2 : 200 mV/43 kohms

Signal-to-noise ratio
 PHONO (MM) : 86 dB ('66 IHF)
 PHONO (MC) : 68 dB ('66 IHF)
 CD/AUX/TUNER/ TAPE 1, 2 : 101 dB ('66 IHF)
 PHONO (MM) : 82 dB ('78 IHF) (REC OUT)
 PHONO (MC) : 75 dB ('78 IHF) (REC OUT)
 CD/AUX/TUNER/ TAPE 1, 2 (SP OUT) : 76 dB ('78 IHF)
 PHONO (MM) : 67 dB (DIN)
 PHONO (MC) : 67 dB (DIN)
 CD/AUX/TUNER/ TAPE 1, 2 : 68 dB (DIN)

Tone controls : TREBLE: +8 ±1 dB -8 ±1 dB (at 10 kHz)
 BASS: +8 ±1 dB -8 ±1 dB (at 100 Hz)

Loudness controls : +6 dB (at 100 Hz) (Volume control at -30 dB position) +4 dB (at 10 kHz)

EQUALIZER
 PHONO overload capacity
 PHONO (MM) : 100 mV (0.02 % THD)
 PHONO (MC) : 8 mV (0.04 % THD)
 PHONO RIAA deviation
 PHONO (MM) : ±0.3 dB (20 Hz – 20 kHz)
 PHONO (MC) : ±0.5 dB (20 Hz – 20 kHz)

Recording output
 Output level/impedance
 TAPE REC-1, 2 : 200 mV/1.8 kohms

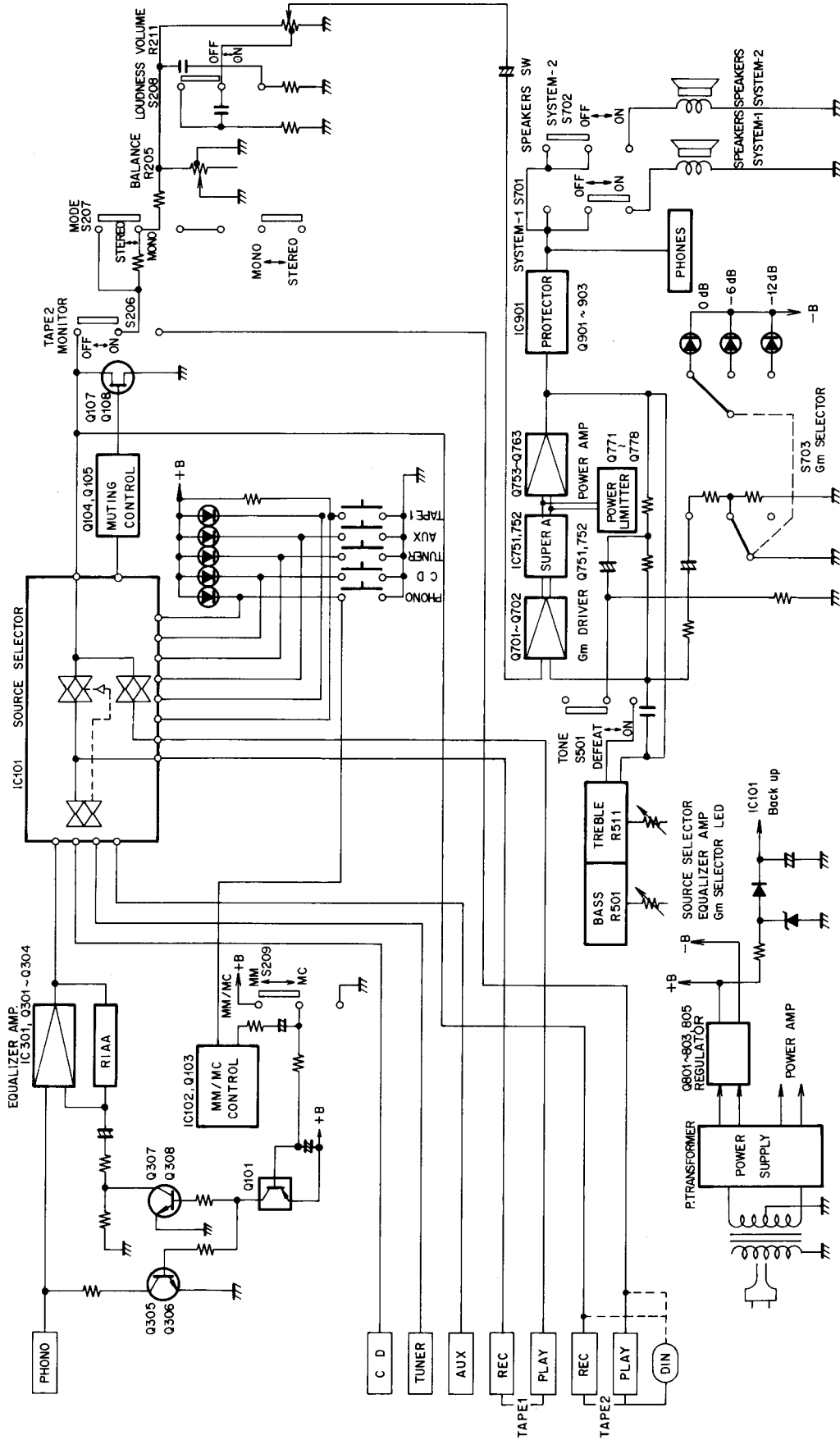
GENERAL
 Dimensions : 435(W) x 117(H) x 350(D) mm (17-3/16" x 4-5/8" x 13-13/16")
 Weight : 8.6 kg (19.0 lbs.)

Design and specifications subject to change without notice.

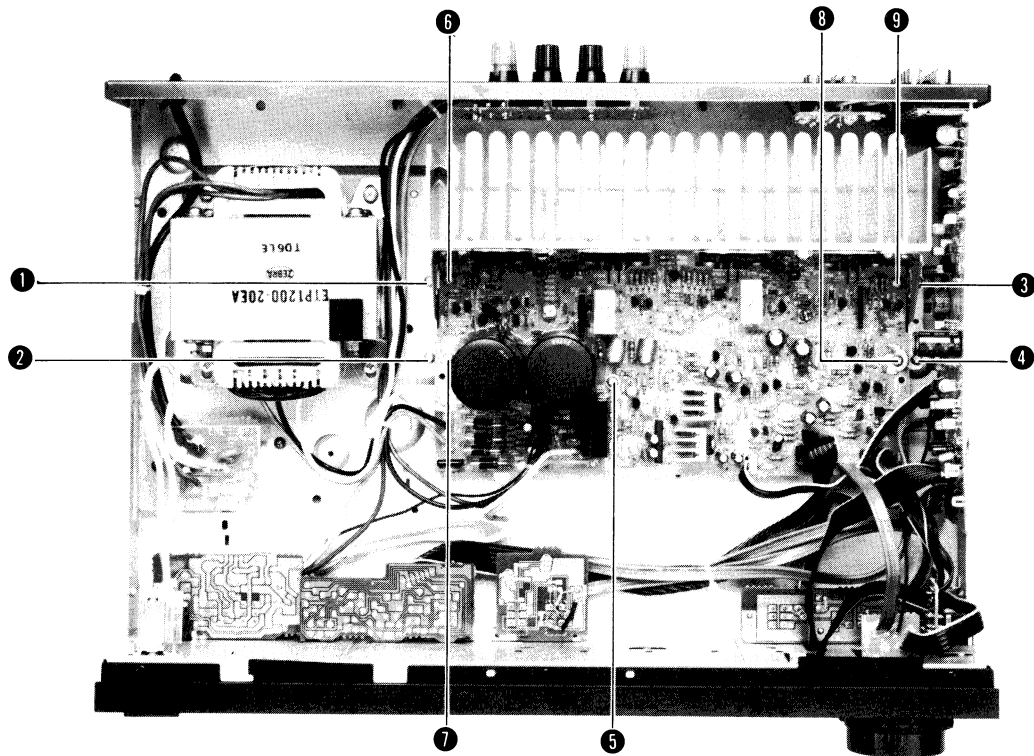
POWER SPECIFICATIONS

Areas	Line voltage & frequency	Power consumption		
		AX-330BK	AX-440BK	AX-550BK
Continental Europe	AC 220 V~, 50 Hz	160 watts	190 watts	210 watts
U.K.	AC 240 V~, 50 Hz	160 watts	190 watts	210 watts
Australia				
Other areas	AC 110/120/220/240 V~ selectable, 50/60 Hz	160 watts	190 watts	210 watts

Block Diagram



Removal Procedures



■ Removing the metal cover

1. Remove six screws.
2. Remove the Metal Cover by lifting up its rear section and pulling it backward while holding it on incline.

■ Removing the Front Panel

1. Remove the metal cover.
2. Pull out the volume knob and remove the nut.
3. Remove three plastic rivets on the upper part of the front panel and three screws from the lower part.

■ Precautions when Installing the Front Panel

1. Turn the Gm selector knob on the front panel to the -12 dB position.
2. Rotate the arm clockwise.
3. After completing the above procedures, install the front panel.

■ Precautions when Installing the Arm (Fig. 1)

When the arm is removed for operations such as rotary switch (Gm selector: S703) replacement, reinstall the arm while following the precautions below.

1. Turn the rotary switch shaft counterclockwise all the way.
2. Have the line marking on the top, then insert the arm.

■ Removing the Power Transistors

1. Remove the metal cover.
2. Remove screws ① - ⑤.
3. Raise the main amp PC board so that the pattern side faces up.
4. Remove solder from the power transistors.
5. Remove screws ⑥ - ⑨ and remove the heatsinks together with the power transistors.
6. Remove the retaining screw from the defective power transistor and replace it.

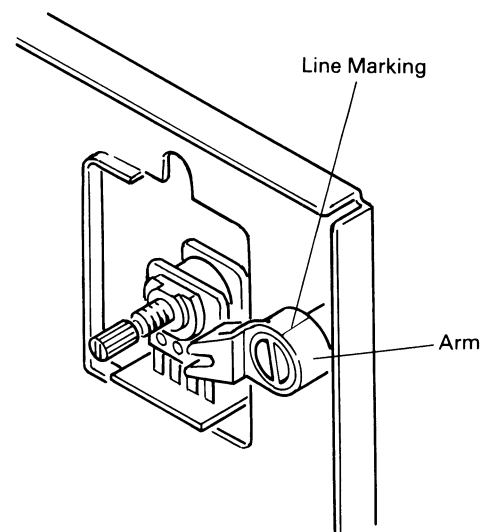
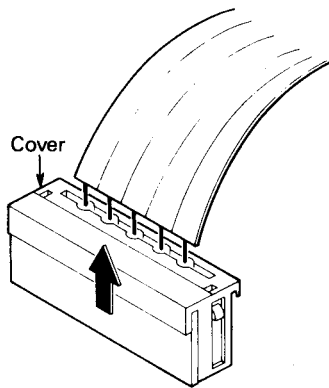


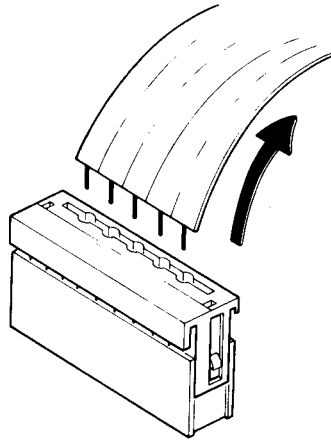
Fig. 1

■ Use of New-type Connector

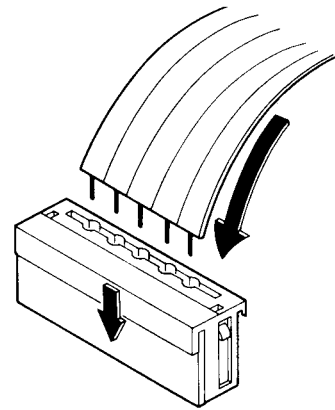
(1) Slide the cover upward.



(2) Extract the wires.

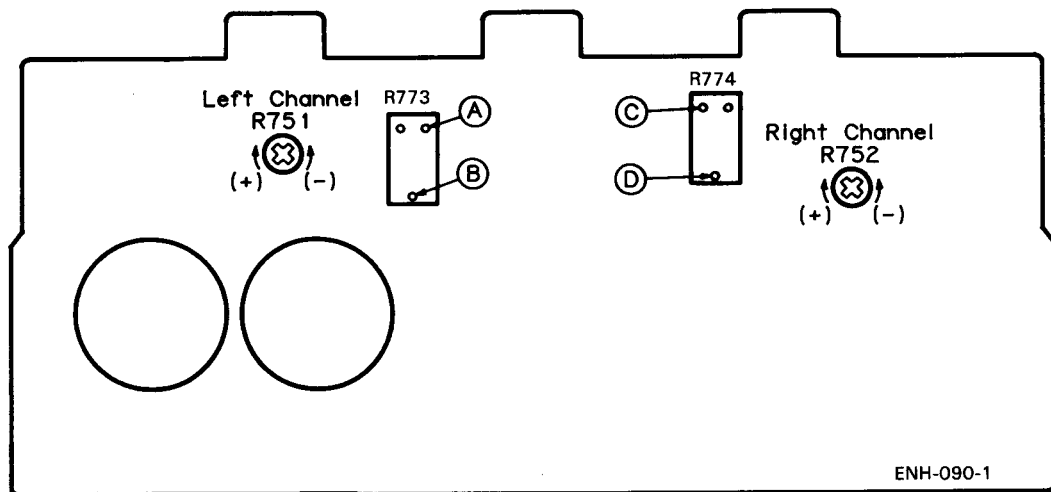


(3) Insert the wires after pushing in the cover.



Adjustment Procedures

■ Power Amplifier Idling Adjustment

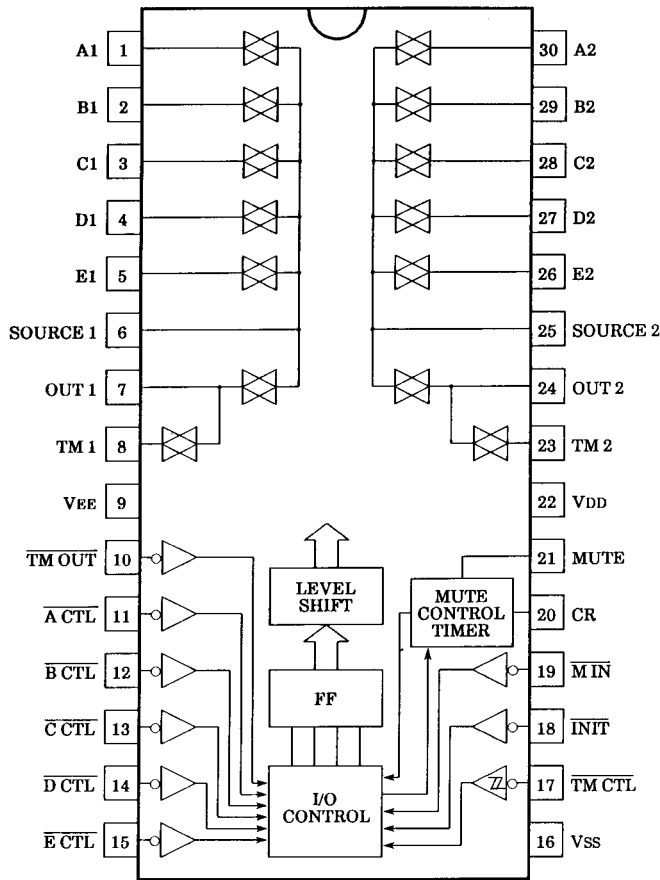


- Before tuning on the power, turn the semi-fixed resistors (R751 for L channel and R752 for R channel) of the power amplifier circuit board fully counterclockwise.
- Adjust the semi-fixed resistor (R751 and R752) so that the voltage at the following test points of the power amplifier circuit board is within a range of 3 ~ 5 mV after the power is turned on.
 - L channel: Measure the voltage between test point ① (emitter of Q761) and output at the test point ②.
 - R channel: Measure the voltage between test point ③ (emitter of Q762) and output at the test point ④.
- Readjust resistors R751 and R752 about 10 minutes after the power is turned on (the heatsink temperature must be sufficiently high) so that the voltage at the test points becomes 11 mV. Confirm that the voltage does not vary when the heatsink temperature increases further.

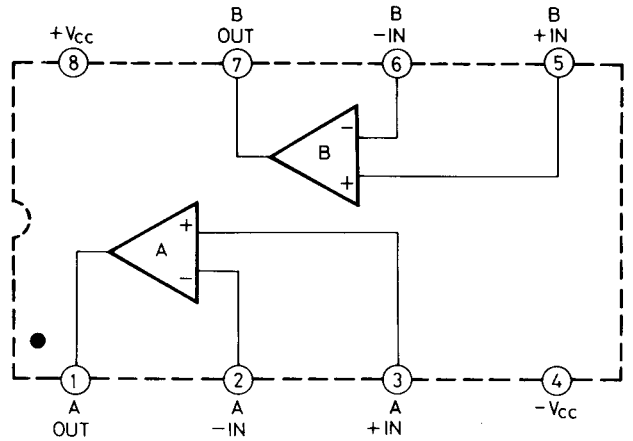
Note: Be sure to perform the measurement with the probes and cabinet of the measuring equipment separated from the grounding terminals of AX-550BK or other measuring equipment.

Internal Block Diagrams of ICs

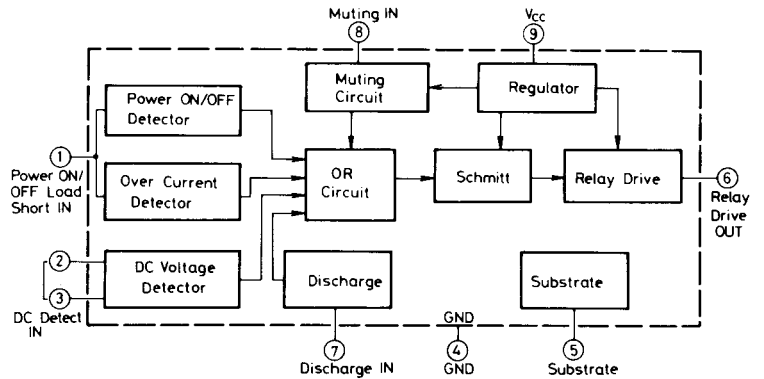
■ LC7818 (IC101)



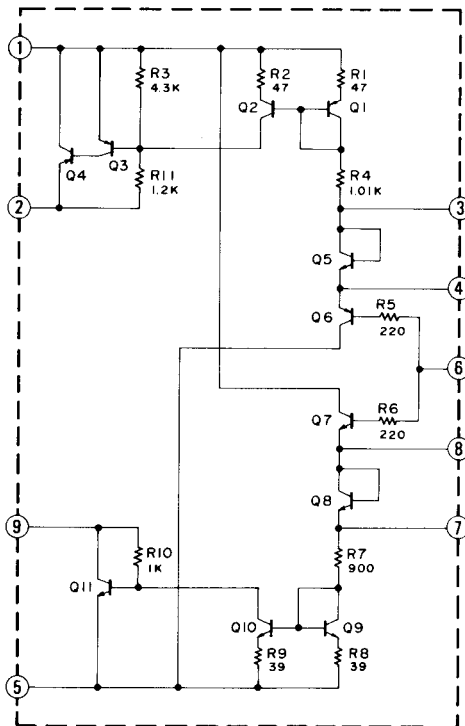
■ M5219P (IC301)



■ TA7317P (IC102, IC901)



■ VC5022 [X, Y] (IC751, IC752)



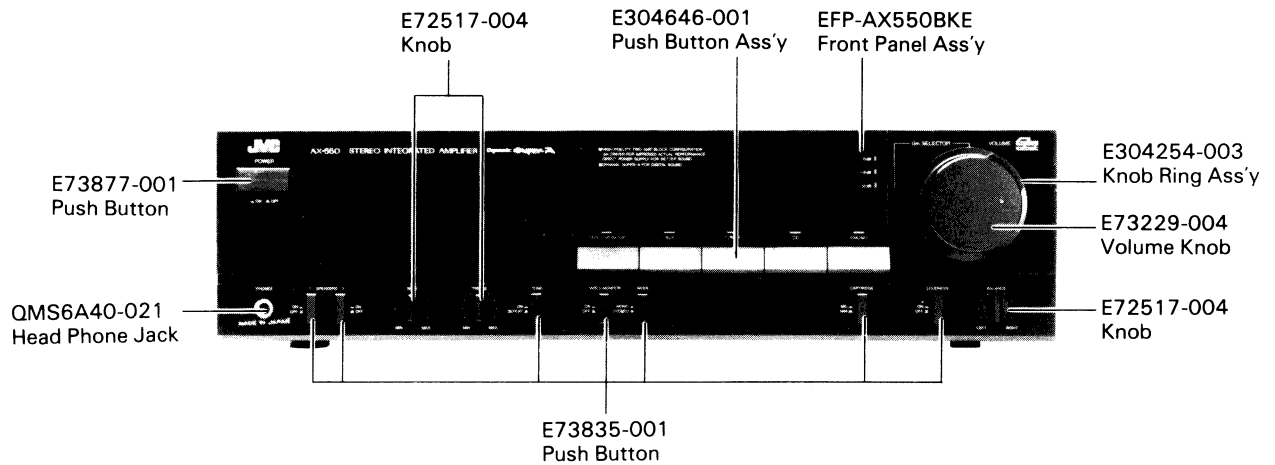
PARTS LIST

Contents

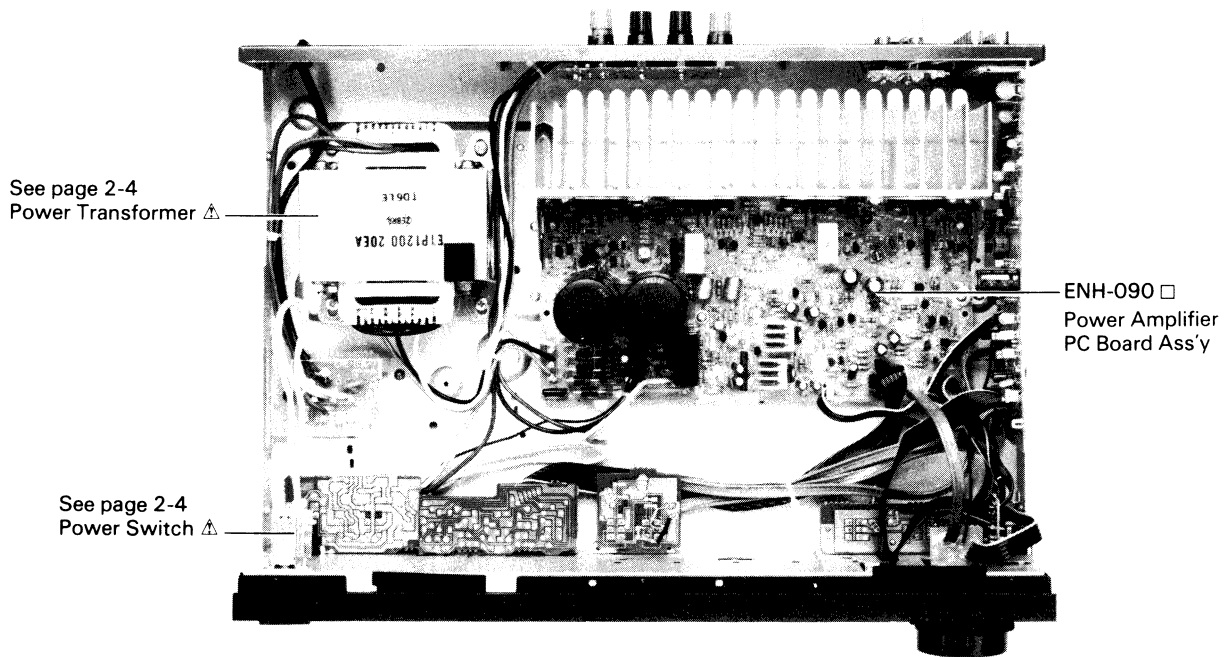
Main Parts Locations.....	2-2
Exploded View and Parts List.....	2-3
Printed Circuit Board Ass'y and Parts List.....	2-6
■ ENH-090 □ Power Amplifier PC Board Ass'y	2-6
■ ENE-034 □ Source Select PC Board Ass'y	2-9
■ TPS-318 <input checked="" type="checkbox"/> Voltage Selector PC Board Ass'y.....	2-12
Packing Materials and Part Numbers	2-13
Accessories List	2-13

Main Parts Locations

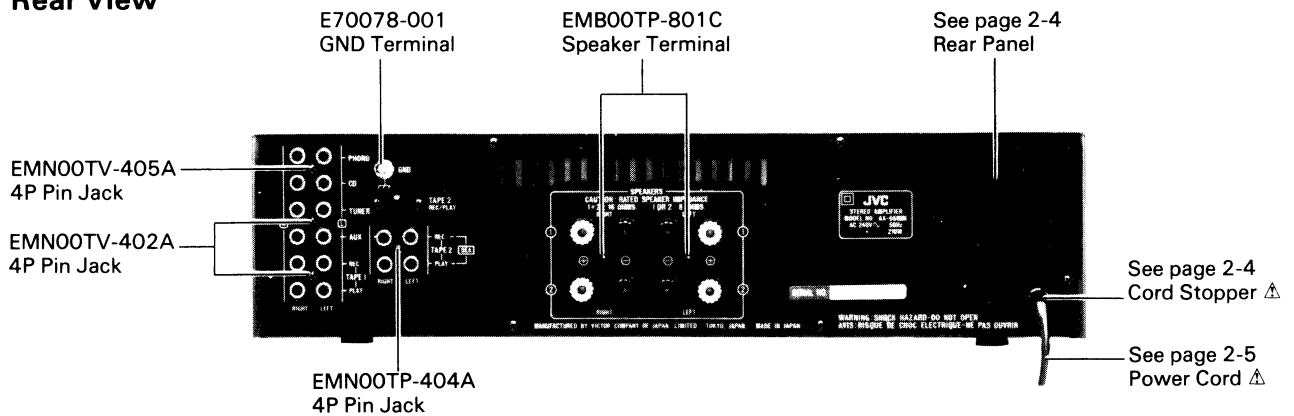
■ Front View



■ Top View

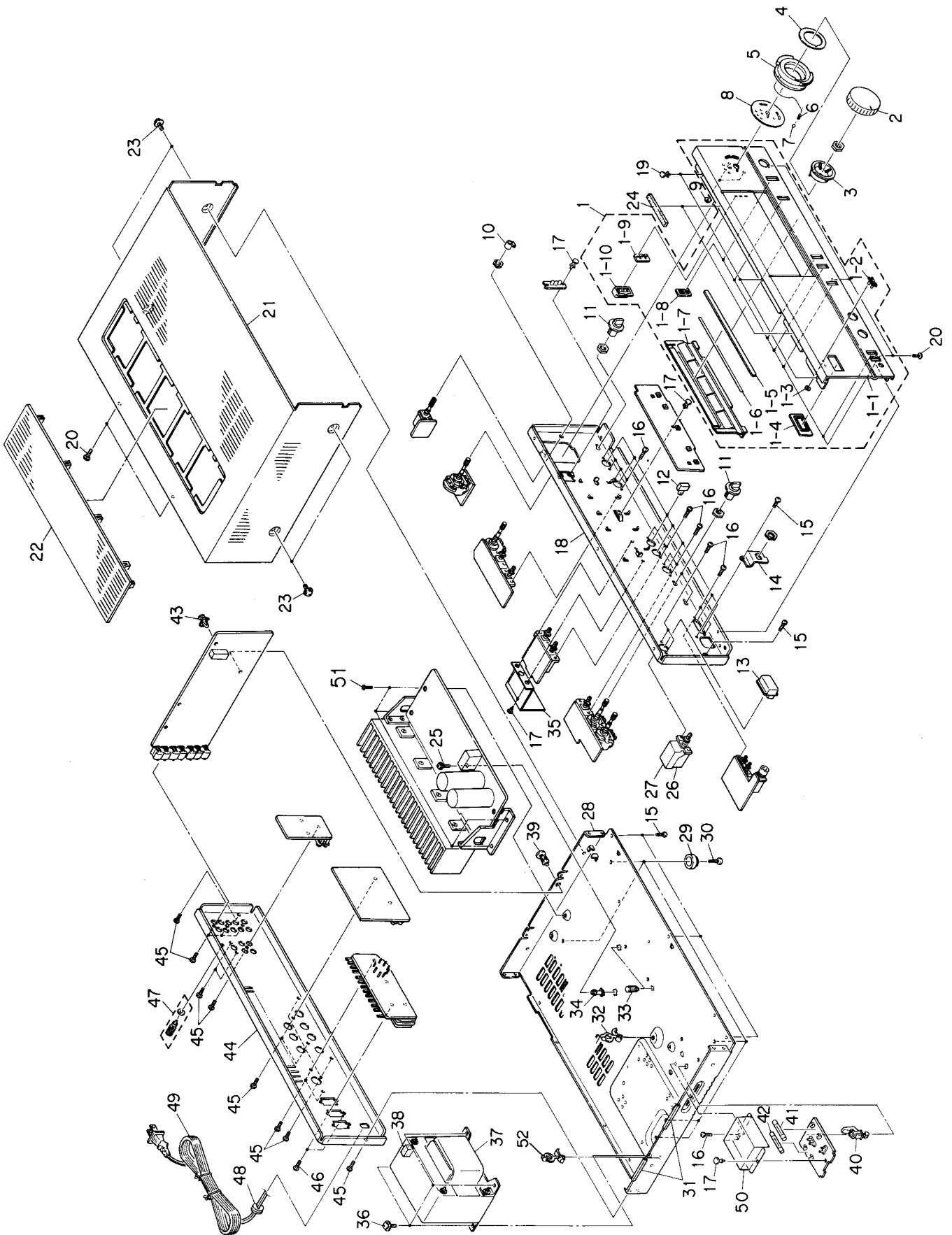


■ Rear View



⚠: Safety Parts

Exploded View and Parts List



△	Item No.	Part Number	Part Name	Q'ty	Description	Areas
	1	EFP-AX550BKE	Front Panel Ass'y	1		
	1-1	E25584-001	Front Panel	1		
	1-2	E72968-001	JVC Mark	1		
	1-3	E60912-003	Speed Nut	1		
	1-4	E73878-001	Push Button Escutcheon	1		
	1-5	E304602-001	IND. Sheet	1		
	1-6	E72437-010	Sheet	1		
	1-7	E304646-001	Push Button Ass'y	1		
	1-8	E73836-001	Push Button Escutcheon	7		
	1-9	E73224-001	Indicator	1		
	1-10	E73225-001	LED Holder	1		
	2	E73229-004	Volume Knob	1		
	3	E304258-002	Knob Bush	1		
	4	E73227-002	Sheet	1		
	5	E304254-003	Knob Ring Ass'y	1		
	6	E66722-036	Coil Spring	1		
	7	E68428-004	Steel Ball	1		
	8	E73226-001	Sheet	1		
	9	E60912-003	Speed Nut	2		
	10	E73228-001	Arm	1		
	11	E72517-004	Knob	3		
	12	E73835-001	Push Button	7		
	13	E73877-001	Push Button	1		
	14	E73218-001	Head Phone Bracket	1		
	15	SBSB3008CC	Screw	6		
	16	SBST3006CC	Screw	13		
	17	E48729-008	Plastic Rivet	5		
	18	E25586-001	Front Bracket	1		
	19	E48729-009	Plastic Rivet	3		
	20	SBSB3008M	Screw	5		
	21	E24719-011	Metal Cover	1		P, PG, A, G, U
	22	E24742-004	Metal Cover	1		E, BS
	23	E23862-005	Grille	1		E, BS
	24	E61660-004	Special Screw	4		
	24	EXO060007N40S	Spacer	2		
△	25	GBSB3008Z	Screw	1		
△	26	QSP1106-005	Push Switch	1	Power	P, PG, U, E, A, G
	26	QSP1106-005BS	Push Switch	1	Power	BS
	27	E71005-001	Switch Cover	1		
	28	E10653-011	Chassis Base	1		
	29	E47227-012	Foot	5		
	30	SBSB3010Z	Screw	5		
	31	E65778-002	Spacer	1		
	32	E303704-001	Wire Clamp	1		
	33	E49383-002	Fastener	2		
	34	E49946-002	Circuit Board Holder	1		
	35	E74074-002	Shield Bracket	1		E, BS
	36	E65389-002	Screw	4		
△	37	ETP1200-20FA	Power Transformer	1		P, PG, U
△	37	ETP1200-20EA	Power Transformer	1		E, A, G
△	38	ETP1200-20EABS	Power Transformer	1		BS
	38	E3400-375	Spacer	1		
	39	E303216-003	Fastener	1		
	40	E34455-001	Fastener	1		
△	41	QMF51A2-5ROS	Fuse	1	F001	P, PG, U
△	42	QMF51A2-3R15S	Fuse	1	F002	P, PG, U
△	42	QMF51A2-3R15S	Fuse	1	F003	E, A, G
△	42	QMF51E2-3R15SBS	Fuse	1	F003	BS
	43	E69384-002	Fastener	1		
	44	E25549-004	Rear Panel	1		P, PG, U

△: Safety Parts

△	Item No.	Part Number	Part Name	Q'ty	Description	Areas
	45	E25549-007	Rear Panel	1		E, A, G, BS
	46	E73273-001	Screw	14		
	47	SDSB3008M	Screw	2		P, PG, U
	47	E70078-001	GND Terminal	1		
△	48	QHS3876-162	Cord Stopper	1		P, PG, E, A, G, U
△	49	QHS3876-162BS	Cord Stopper	1		BS
△		QMP2560-244	Power Cord	1		A
△		QMP3900-200	Power Cord	1		E, G
△		QMP7600-200	Power Cord	1		P, PG, U
△		QMP9017-008BS	Power Cord	1		BS
	50	E303823-001	Protector	1		
	51	SBST3006Z	Screw	4		
	52	E303704-001	Wire Clamp	1		P, PG, U
		QHW1052-001	Wire Clamp	1		E, A, G, BS
	—	E303260-097	Rating Label	1		E, G

△: Safety Parts

The Marks for Designated Areas

P, PG..... U.S. Military Market
E Europe
A Australia
G West Germany
BS U.K.
U Other Countries

No mark indicates all areas.

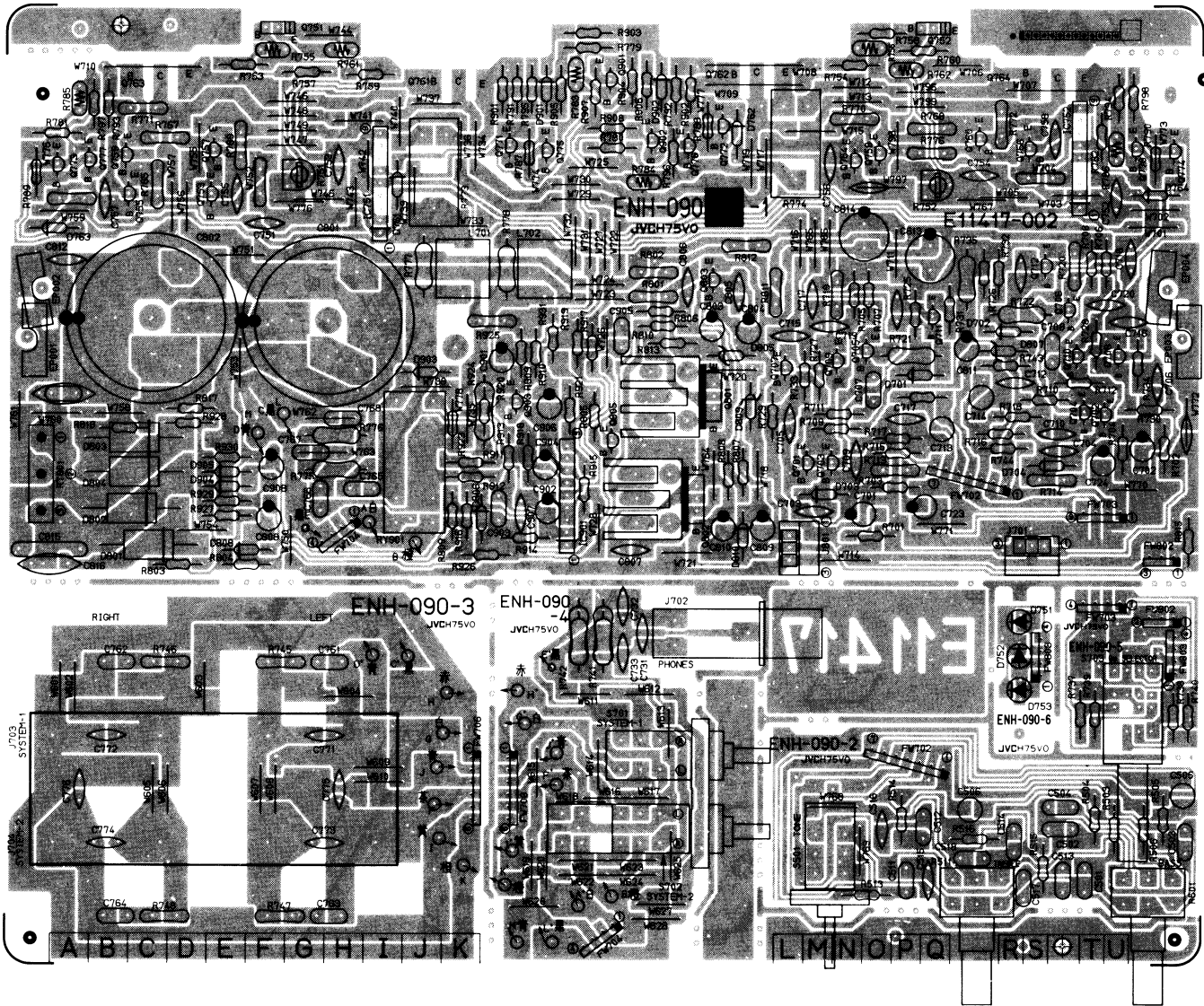
Printed Circuit Board Ass'y and Parts List

■ ENH-090 □ Power Amplifier PC Board Ass'y

Note: ENH-090 □ Varies according to the areas employed. See note (1) when placing an order.

Note (1)

PC Board Ass'y	Designated Areas
ENH-090 G	U.S. Military Market & Other Countries
ENH-090 H	Europe, Australia, U.K.
ENH-090 I	West Germany



TRANSISTORS

ITEM	PART NUMBER	DESCRIPTION	AREA	
			MAKER	
Q701	2SC2240(A,B)	SILICON	TOSHIBA	
Q702	2SC2240(A,B)	SILICON	TOSHIBA	
Q703	2SC2240(A,B)	SILICON	TOSHIBA	
Q704	2SC2240(A,B)	SILICON	TOSHIBA	
Q705	2SA970(GR,BL)	SILICON	TOSHIBA	
Q706	2SA970(GR,BL)	SILICON	TOSHIBA	
Q707	2SA970(GR,BL)	SILICON	TOSHIBA	
Q708	2SA970(GR,BL)	SILICON	TOSHIBA	
Q709	2SA933LN(R,S)	SILICON	ROHM	
Q710	2SA933LN(R,S)	SILICON	ROHM	
Q711	2SC2240(GR,BL)	SILICON	TOSHIBA	
Q712	2SC2240(GR,BL)	SILICON	TOSHIBA	
Q751	2SD636(Q,R)	SILICON	MATSUSHITA	
Q752	2SD636(Q,R)	SILICON	MATSUSHITA	
Q753	2SC2240(GR,BL)	SILICON	TOSHIBA	
Q754	2SC2240(GR,BL)	SILICON	TOSHIBA	
Q755	2SA970(GR,BL)	SILICON	TOSHIBA	
Q756	2SA970(GR,BL)	SILICON	TOSHIBA	
Q757	2SC2235(O,Y)	SILICON	TOSHIBA	
Q758	2SC2235(O,Y)	SILICON	TOSHIBA	
Q759	2SA965(O,Y)	SILICON	TOSHIBA	
Q760	2SA965(O,Y)	SILICON	TOSHIBA	
Q761	2SD845LB(O,R)	SILICON	TOSHIBA	
Q762	2SD845LB(O,R)	SILICON	TOSHIBA	
Q763	2SB755LB(O,R)	SILICON	TOSHIBA	
Q764	2SB755LB(O,R)	SILICON	TOSHIBA	
Q771	2SA933(R,S)	SILICON	ROHM	
Q772	2SA933(R,S)	SILICON	ROHM	
Q773	2SC1740(R,S)	SILICON	ROHM	
Q774	2SC1740(R,S)	SILICON	ROHM	
Q775	2SC1740(R,S)	SILICON	ROHM	
Q776	2SC1740(R,S)	SILICON	ROHM	
Q777	2SA933(R,S)	SILICON	ROHM	
Q778	2SA933(R,S)	SILICON	ROHM	
Q801	2SD1666(R,S)	SILICON	SANYO	
Q802	2SB1133(R,S)	SILICON	SANYO	
Q803	2SA933(R,S)	SILICON	ROHM	
Q805	2SC1740(R,S)	SILICON	ROHM	
Q901	2SC2240(GR,BL)	SILICON	TOSHIBA	
Q902	2SC2240(GR,BL)	SILICON	TOSHIBA	
Q903	2SA970(GR,BL)	SILICON	TOSHIBA	

I. C. S

ITEM	PART NUMBER	DESCRIPTION	AREA	
			MAKER	
IC751	VC5022(X,Y)	I.C.	ROHM	
IC752	VC5022(X,Y)	I.C.	ROHM	
IC901	TA7317P	I.C.	TOSHIBA	

DIODES

ITEM	PART NUMBER	DESCRIPTION	AREA	
			MAKER	
D701	1S2076-31	SILICON	HITACHI	
D702	1S2076-31	SILICON	HITACHI	
D703	1S2076-31	SILICON	HITACHI	
D704	1S2076-31	SILICON	HITACHI	
D751	SLH-56DC50F130	L.E.D.	ROHM	
D752	SLH-56DC50F130	L.E.D.	ROHM	
D753	SLH-56DC50F130	L.E.D.	ROHM	
D761	1S2076-31	SILICON	HITACHI	
D762	1S2076-31	SILICON	HITACHI	
D763	1S2076-31	SILICON	HITACHI	
D764	1S2076-31	SILICON	HITACHI	
D801	30DL2FC	SILICON	NIHONINTER	
D802	30DL2FC	SILICON	NIHONINTER	
D803	30DL2FC	SILICON	NIHONINTER	
D804	30DL2FC	SILICON	NIHONINTER	
D805	HZ15-1L	SILICON	HITACHI	
D806	1S2076-31	SILICON	HITACHI	
D807	RD18EB3	ZENER	NEC	
D808	1S2076-31	SILICON	HITACHI	
D809	RD18EB3	ZENER	NEC	

DIODES

ITEM	PART NUMBER	DESCRIPTION	AREA	
			MAKER	
D810	RD18EB3	ZENER	NEC	
D901	1S2076-31	SILICON	HITACHI	
D902	1S2076-31	SILICON	HITACHI	
D903	1S2076-31	SILICON	HITACHI	
D904	1S2076-31	SILICON	HITACHI	
D905	1S2076-31	SILICON	HITACHI	

CAPACITORS

ITEM	PART NUMBER	DESCRIPTION	AREA	
			MAKER	
C501	QFN81HK-153	0.015MF 50V	MYLAR	
C502	QFN81HK-153	0.015MF 50V	MYLAR	
C503	QFN81HK-823	0.082MF 50V	MYLAR	
C504	QFN81HK-823	0.082MF 50V	MYLAR	
C505	QEN51HM-475	4.7MF 50V	NON POLE	
C506	QEN51HM-475	4.7MF 50V	NON POLE	
C511	QFN81HK-332	3300PF 50V	MYLAR	
C512	QFN81HK-332	3300PF 50V	MYLAR	
C513	QFN81HK-183	0.018MF 50V	MYLAR	
C514	QFN81HK-183	0.018MF 50V	MYLAR	
C515	QCS21HJ-221	220PF 50V	CERAMIC	
C516	QCS21HJ-221	220PF 50V	CERAMIC	
C517	QFN81HK-122	1200PF 50V	MYLAR	
C518	QFN81HK-122	1200PF 50V	MYLAR	
C701	EETB2AM-106E	10MF 100V	ELECTRO	
C702	EETB2AM-106E	10MF 100V	ELECTRO	
C703	QCS21HJ-470	47PF 50V	CERAMIC	
C704	QCS21HJ-470	47PF 50V	CERAMIC	
C705	QCS21HJ-101	100PF 50V	CERAMIC	G
C705	QCS21HJ-101	100PF 50V	CERAMIC	H
C705	QCS21HJ-330	33PF 50V	CERAMIC	I
C706	QCS21HJ-101	100PF 50V	CERAMIC	G
C706	QCS21HJ-101	100PF 50V	CERAMIC	H
C706	QCS21HJ-330	33PF 50V	CERAMIC	I
C707	QFN81HK-332	3300PF 50V	MYLAR	
C708	QFN81HK-332	3300PF 50V	MYLAR	
C709	QCS21HJ-100	10PF 50V	CERAMIC	
C710	QCS21HJ-100	10PF 50V	CERAMIC	
C713	QEN51HM-475	4.7MF 50V	NON POLE	
C714	QEN51HM-475	4.7MF 50V	NON POLE	
C715	QCS21HJ-330	33PF 50V	CERAMIC	
C716	QCS21HJ-330	33PF 50V	CERAMIC	
C717	QCS21HJ-330	33PF 50V	CERAMIC	
C718	QCS21HJ-330	33PF 50V	CERAMIC	
C719	QCS21HJ-220	22PF 50V	CERAMIC	
C720	QCS21HJ-220	22PF 50V	CERAMIC	
C723	QETB1CM-476	47MF 16V	ELECTRO	
C724	QETB1CM-476	47MF 16V	ELECTRO	
C731	QCS21HJ-101	100PF 50V	CERAMIC	I
C732	QCS21HJ-101	100PF 50V	CERAMIC	I
C733	QCS21HJ-101	100PF 50V	CERAMIC	I
C751	QCF21HP-103	0.01MF 50V	CERAMIC	
C752	QCF21HP-103	0.01MF 50V	CERAMIC	
C753	QCF21HP-103	0.01MF 50V	CERAMIC	
C754	QCF21HP-103	0.01MF 50V	CERAMIC	
C755	QCS22HJ-470	47PF 500V	CERAMIC	
C756	QCS22HJ-470	47PF 500V	CERAMIC	
C757	QCS22HJ-470	47PF 500V	CERAMIC	
C758	QCS22HJ-470	47PF 500V	CERAMIC	
C761	QFN81HK-103	0.01MF 50V	MYLAR	I
C762	QFN81HK-103	0.01MF 50V	MYLAR	I
C763	QFN81HK-103	0.01MF 50V	MYLAR	I
C764	QFN81HK-103	0.01MF 50V	MYLAR	I
C765	QFN81HK-104	0.1MF 50V	MYLAR	H
C765	QFN81HK-104	0.1MF 50V	MYLAR	I
C765	QFN81HK-473	0.047MF 50V	MYLAR	G
C766	QFN81HK-104	0.1MF 50V	MYLAR	H
C766	QFN81HK-104	0.1MF 50V	MYLAR	I
C766	QFN81HK-473	0.047MF 50V	MYLAR	G
C767	QFN81HK-104	0.1MF 50V	MYLAR	H
C767	QFN81HK-104	0.1MF 50V	MYLAR	I
C768	QFN81HK-104	0.1MF 50V	MYLAR	H
C768	QFN81HK-104	0.1MF 50V	MYLAR	I
C801	EEZ7101-109E	0.01F 71V	ELECTRO	
C802	EEZ7101-109E	0.01F 71V	ELECTRO	
C803	QETB1HM-476	47MF 50V	ELECTRO	
C804	QETB1HM-476	47MF 50V	ELECTRO	
C805	QCS21HJ-101	100PF 50V	CERAMIC	
C808	QETB1HM-105	1MF 50V	ELECTRO	
C809	QETB1EM-476	47MF 25V	ELECTRO	

Δ : SAFETY PARTS

CAPACITORS

ITEM	PART NUMBER	DESCRIPTION			AREA
C810	QETB1EM-476	47MF	25V	ELECTRO	I
C811	QETB1EM-106	10MF	25V	ELECTRO	
C812	QFN82AK-472	4700PF	100V	MYLAR	
C813	QETB1JM-107	100MF	63V	ELECTRO	
C814	QETB1JM-107	100MF	63V	ELECTRO	I
C815	QFH42EK-104	0.1MF	250V	M.MYLAR	
C816	QCE22HP-103A	0.01MF	500V	CERAMIC	
C817	QFN82AK-472	4700PF	100V	MYLAR	
C901	QETB1HM-226	22MF	50V	ELECTRO	
C902	QETB1AM-107	100MF	10V	ELECTRO	
C903	QFN81HK-102	1000PF	50V	MYLAR	
C904	QETB1HM-475	4.7MF	50V	ELECTRO	
C905	QFN81HK-153	0.015MF	50V	MYLAR	
C906	QETB1HM-226	22MF	50V	ELECTRO	
C907	QCF21HP-223	0.022MF	50V	CERAMIC	
C908	QETB1HM-105	1MF	50V	ELECTRO	

RESISTORS

ITEM	PART NUMBER	DESCRIPTION			AREA
R756	ERT-D2WFL351S	350	1/4W	THERMISTER	I
R757	QRD148J-471S	470	1/4W	CARBON	
R758	QRD148J-471S	470	1/4W	CARBON	
R759	QRD148J-391S	390	1/4W	CARBON	
R760	QRD148J-391S	390	1/4W	CARBON	
R761	ERT-D2WHL202S	2K	1/4W	THRMIStOR	
R762	ERT-D2WHL202S	2K	1/4W	THRMIStOR	
R765	QRZ0077-272	2.7K	1/4W	FUSIBLE	
R766	QRZ0077-272	2.7K	1/4W	FUSIBLE	
R767	QRZ0077-471	470	1/4W	FUSIBLE	
R768	QRZ0077-471	470	1/4W	FUSIBLE	
R769	QRZ0077-100	10	1/4W	FUSIBLE	
R770	QRZ0077-100	10	1/4W	FUSIBLE	
R771	QRZ0077-100	10	1/4W	FUSIBLE	
R772	QRZ0077-100	10	1/4W	FUSIBLE	
R773	ERF032K-R22	0.22	3W	CEMENT	
R774	ERF032K-R22	0.22	3W	CEMENT	
R775	QRG012J-100A	10	1W	O.M.FILM	
R776	QRG012J-100A	10	1W	O.M.FILM	
R777	QRD125J-330	33	1/2W	UNF.CARBON	
R778	QRD125J-330	33	1/2W	UNF.CARBON	
R779	QRD148J-331S	330	1/4W	CARBON	
R780	QRD148J-331S	330	1/4W	CARBON	
R781	QRD148J-331S	330	1/4W	CARBON	
R782	QRD148J-331S	330	1/4W	CARBON	
R783	ERT-D2WFL351S	350	1/4W	THERMISTER	
R784	ERT-D2WFL351S	350	1/4W	THERMISTER	
R785	ERT-D2WFL351S	350	1/4W	THERMISTER	
R786	ERT-D2WFL351S	350	1/4W	THERMISTER	
R787	QRD148J-103S	10K	1/4W	CARBON	
R788	QRD148J-103S	10K	1/4W	CARBON	
R789	QRD148J-103S	10K	1/4W	CARBON	
R790	QRD148J-103S	10K	1/4W	CARBON	
R791	QRD148J-331S	330	1/4W	CARBON	
R792	QRD148J-331S	330	1/4W	CARBON	
R793	QRD148J-331S	330	1/4W	CARBON	
R794	QRD148J-331S	330	1/4W	CARBON	
R795	QRD148J-221S	220	1/4W	CARBON	
R796	QRD148J-221S	220	1/4W	CARBON	
R797	QRD148J-221S	220	1/4W	CARBON	
R798	QRD148J-221S	220	1/4W	CARBON	
R801	QRZ0077-330	33	1/4W	FUSIBLE	
R802	QRZ0077-330	33	1/4W	FUSIBLE	
R803	QRD148J-123S	12K	1/4W	CARBON	
R804	QRD148J-682S	6.8K	1/4W	CARBON	
R805	QRD148J-823S	82K	1/4W	CARBON	
R806	QRD148J-221S	220	1/4W	CARBON	
R807	QRD148J-223S	22K	1/4W	CARBON	
R808	QRD148J-203S	20K	1/4W	CARBON	
R809	QRD148J-563S	56K	1/4W	CARBON	
R810	QRD148J-123S	12K	1/4W	CARBON	
R811	QRZ0077-330	33	1/4W	FUSIBLE	
R812	QRZ0077-330	33	1/4W	FUSIBLE	
R813	QRD148J-123S	12K	1/4W	CARBON	
R815	QRD148J-102S	1K	1/4W	CARBON	
R817	QRD148J-104S	100K	1/4W	CARBON	
R818	QRD148J-104S	100K	1/4W	CARBON	
R901	QRD148J-272S	2.7K	1/4W	CARBON	
R902	QRD148J-272S	2.7K	1/4W	CARBON	
R903	QRD148J-183S	18K	1/4W	CARBON	
R904	QRD148J-183S	18K	1/4W	CARBON	
R905	QRD148J-472S	4.7K	1/4W	CARBON	
R906	QRD148J-472S	4.7K	1/4W	CARBON	
R907	QRD148J-223S	22K	1/4W	CARBON	
R908	QRD148J-223S	22K	1/4W	CARBON	
R909	QRD148J-332S	3.3K	1/4W	CARBON	
R910	QRD148J-103S	10K	1/4W	CARBON	
R911	QRD148J-104S	100K	1/4W	CARBON	
R912	QRD148J-823S	82K	1/4W	CARBON	
R913	QRD148J-473S	47K	1/4W	CARBON	
R914	QRD148J-104S	100K	1/4W	CARBON	
R915	QRD148J-683S	68K	1/4W	CARBON	
R916	QRD148J-683S	68K	1/4W	CARBON	
R917	QRD148J-203S	20K	1/4W	CARBON	
R918	QRD148J-392S	3.9K	1/4W	CARBON	
R919	QRD148J-333S	33K	1/4W	CARBON	
R921	QRD148J-224S	220K	1/4W	CARBON	
R923	QRD148J-820S	82	1/4W	CARBON	
R924	QRG022J-152A	1.5K	2W	O.M.FILM	
R925	QRD14CJ-470S	47	1/4W	UNF.CARBON	
R926	QRD148J-822S	8.2K	1/4W	CARBON	
R927	QRD148J-123S	12K	1/4W	CARBON	
R928	QRD148J-123S	12K	1/4W	CARBON	
R929	QRD148J-682S	6.8K	1/4W	CARBON	
R930	QRD148J-682S	6.8K	1/4W	CARBON	
R931	QRD148J-303S	30K	1/4W	CARBON	

RESISTORS

ITEM	PART NUMBER	DESCRIPTION			AREA
R501	QVDB98C-E15B	100K (C)	50mW	VARIABLE	I
R503	QRD148J-203S	20K	1/4W	CARBON	
R504	QRD148J-203S	20K	1/4W	CARBON	
R505	QRD148J-362S	3.6K	1/4W	CARBON	
R506	QRD148J-362S	3.6K	1/4W	CARBON	
R511	QVDB98C-E15B	100K (C)	50mW	VARIABLE	
R513	QRD148J-472S	4.7K	1/4W	CARBON	
R514	QRD148J-472S	4.7K	1/4W	CARBON	
R515	QRD148J-821S	820	1/4W	CARBON	
R516	QRD148J-821S	820	1/4W	CARBON	
R701	QRD148J-222S	2.2K	1/4W	CARBON	
R702	QRD148J-222S	2.2K	1/4W	CARBON	
R703	QRD148J-104S	100K	1/4W	CARBON	
R704	QRD148J-104S	100K	1/4W	CARBON	
R705	QRD148J-202S	2K	1/4W	CARBON	
R706	QRD148J-202S	2K	1/4W	CARBON	
R707	QRD148J-202S	2K	1/4W	CARBON	
R708	QRD148J-202S	2K	1/4W	CARBON	
R709	QRD148J-103S	10K	1/4W	CARBON	
R710	QRD148J-103S	10K	1/4W	CARBON	
R711	QRD148J-101S	100	1/4W	CARBON	
R712	QRD148J-101S	100	1/4W	CARBON	
R713	QRD14CJ-681S	680	1/4W	UNF.CARBON	
R714	QRD14CJ-681S	680	1/4W	UNF.CARBON	
R715	QRD148J-163S	16K	1/4W	CARBON	
R716	QRD148J-163S	16K	1/4W	CARBON	
R717	QRD148J-823S	82K	1/4W	CARBON	
R718	QRD148J-823S	82K	1/4W	CARBON	
R719	QRD14CJ-121S	120	1/4W	UNF.CARBON	
R720	QRD14CJ-121S	120	1/4W	UNF.CARBON	
R721	QRD125J-103	10K	1/2W	UNF.CARBON	
R722	QRD125J-103	10K	1/2W	UNF.CARBON	
R725	QRD148J-391S	390	1/4W	CARBON	
R726	QRD148J-391S	390	1/4W	CARBON	
R727	QRD148J-152S	1.5K	1/4W	CARBON	
R728	QRD148J-152S	1.5K	1/4W	CARBON	
R729	QRD148J-333S	33K	1/4W	CARBON	
R730	QRD148J-333S	33K	1/4W	CARBON	
R731	QRD148J-391S	390	1/4W	CARBON	
R732	QRD148J-391S	390	1/4W	CARBON	
R733	QRD148J-152S	1.5K	1/4W	CARBON	
R734	QRD148J-152S	1.5K	1/4W	CARBON	
R735	QRG012J-562AF	5.6K	1W	O.M.FILM	
R737	QRD148J-162S	1.6K	1/4W	CARBON	
R738	QRD148J-162S	1.6K	1/4W	CARBON	
R739	QRD148J-821S	820	1/4W	CARBON	
R740	QRD148J-821S	820	1/4W	CARBON	
R741	QRG022J-331A	330	2W	O.M.FILM	
R742	QRG022J-331A	330	2W	O.M.FILM	
R743	QRD148J-104S	100K	1/4W	CARBON	
R744	QRD148J-104S	100K	1/4W	CARBON	
R745	QRD14CJ-100S	10	1/4W	UNF.CARBON	
R746	QRD14CJ-100S	10	1/4W	UNF.CARBON	
R747	QRD14CJ-100S	10	1/4W	UNF.CARBON	
R748	QRD14CJ-100S	10	1/4W	UNF.CARBON	
R751	QVPC604-471	470 (B)	0.1W	VARIABLE	
R752	QVZ3518-471	470 (B)	0.1W	VARIABLE	
R753	QRD148J-101S	100	1/4W	CARBON	
R754	QRD148J-101S	100	1/4W	CARBON	
R755	ERT-D2WFL351S	350	1/4W	THERMISTER	

△ : SAFETY PARTS

OTHERS

ITEM	PART NUMBER	DESCRIPTION	AREA
	E11417-002	CIRCUIT BOARD	
	E300107-005	CIRCUIT BOARD HOLDER	
	E300107-006	CIRCUIT BOARD HOLDER	
	E300209-021	HEAT SINK	
	E70945-H25	HEAT SINK	
	E73265-001	SPCL SCREW	
	GBSB3008CC	SCREW	
	SBSB3008CC	T. SCREW	
	SBSB3008CC	T. SCREW	
	SBSB3008CC	T. SCREW	
	SBSE3012CC	SCREW	
J701	EMV7112-003	SOCKET	
J702	QMS6A40-021	JACK ASSY	
J703	EMB00TP-801C	SPEAKER TERMINAL	
J704	EMB00TP-801C	SPEAKER TERMINAL	
J801	EMV7112-003	SOCKET	
L701	EQL0001-1R0	INDUCTOR	
L702	EQL0001-1R0	INDUCTOR	
S501	QST4102-E08	PUSH SWITCH	
S701	QST4241-E06	PUSH SWITCH	
S702	QST4241-E06	PUSH SWITCH	

OTHERS

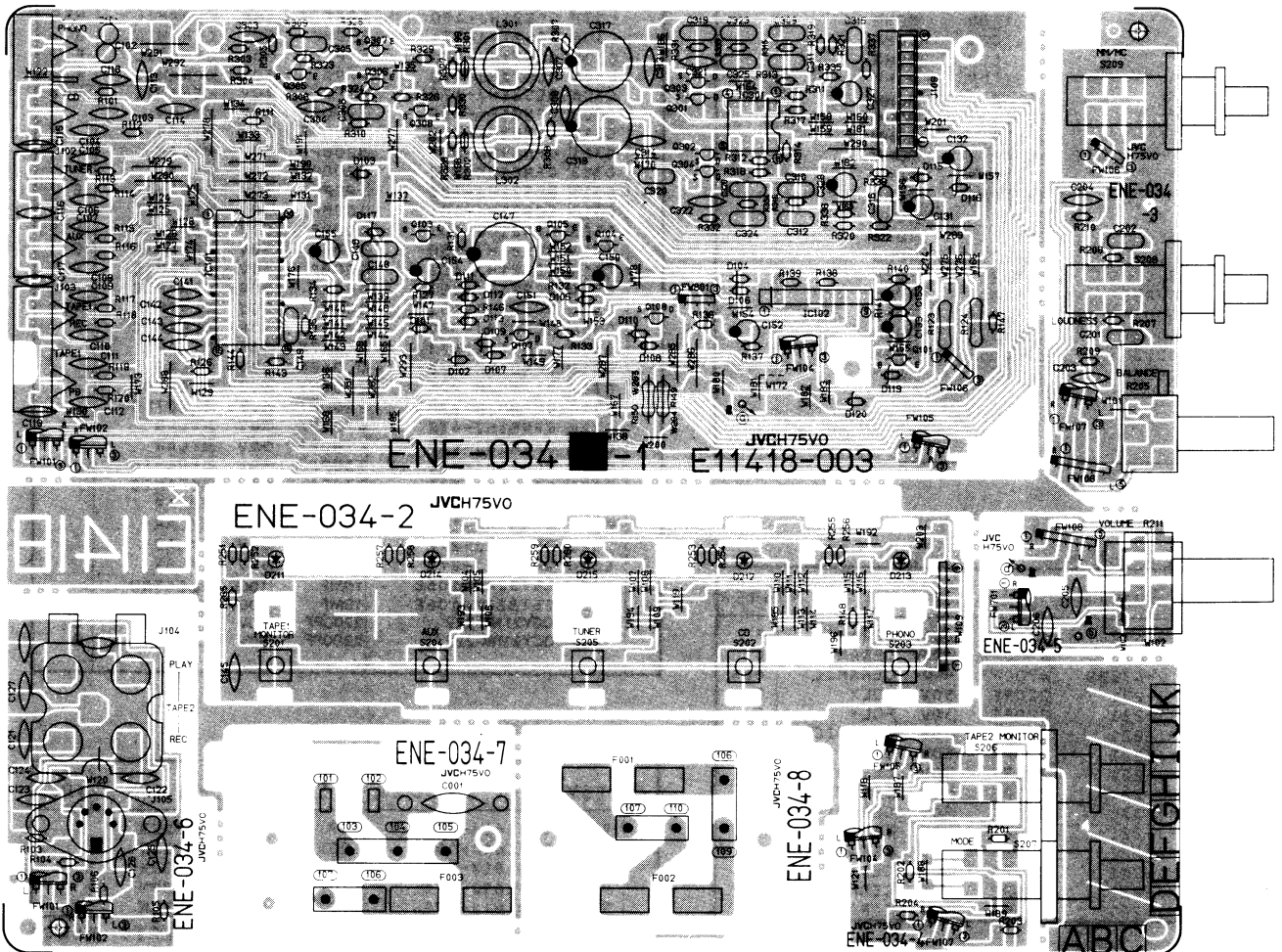
ITEM	PART NUMBER	DESCRIPTION	AREA
△ S703	QSR6223-201	VOLTAGE SELECTOR	
EP002	E70859-001	EARTH PLATE	I
EP004	E70859-001	EARTH PLATE	G
EP004	E70859-001	EARTH PLATE	H
EP004	E70859-001	EARTH PLATE	I
RT801	E67764-103	R. TERMINAL	
RY901	ESK5D24-218	RELAY	

△ : SAFETY PARTS

■ ENC-034 □ Source Select PC Board Ass'y

Note: ENC-034 □ Varies according to the areas employed. See note (1) when placing an order.
Note (1)

PC Board Ass'y	Designated Areas
ENE-034 E	U.S. Military Market & Other Countries
ENE-034 F	Europe, Australia
ENE-034 G	West Germany
ENE-034 H BS	U.K.



TRANSISTORS

ITEM	PART NUMBER	DESCRIPTION		AREA
			MAKER	
Q101	DTA144EN	SILICON	ROHM	
Q103	2SC2389(S,E)	SILICON	ROHM	
Q104	DTA144EN	SILICON	ROHM	
Q105	DTA144EN	SILICON	ROHM	
Q107	2SK163(L1)	F.E.T	NEC	
Q108	2SK163(L1)	F.E.T	NEC	
Q301	2SK170(BL)	F.E.T	TOSHIBA	
Q302	2SK170(BL)	F.E.T	TOSHIBA	
Q303	2SK170(BL)	F.E.T	TOSHIBA	
Q304	2SK170(BL)	F.E.T	TOSHIBA	
Q305	2SD655(E,F)	SILICON	HITACHI	
Q306	2SD655(E,F)	SILICON	HITACHI	
Q307	2SD655(E,F)	SILICON	HITACHI	
Q308	2SD655(E,F)	SILICON	HITACHI	

I. C. S

ITEM	PART NUMBER	DESCRIPTION		AREA
			MAKER	
IC101	LC7818	I.C.	SANYO	
IC102	TA7317P	I.C.	TOSHIBA	
IC301	M5219P	I.C.	mitsubishi	

DIODES

ITEM	PART NUMBER	DESCRIPTION		AREA
			MAKER	
D101	1SS133	SILICON	ROHM	
D102	1SS133	SILICON	ROHM	
D103	1SS133	SILICON	ROHM	
D104	1SS133	SILICON	ROHM	
D105	1SS133	SILICON	ROHM	
D106	1SS133	SILICON	ROHM	
D107	MTZ15JC	ZENER	ROHM	
D108	MTZ15JC	ZENER	ROHM	
D109	MTZ15JC	ZENER	ROHM	
D110	MTZ15JC	ZENER	ROHM	
D111	1SS133	SILICON	ROHM	
D112	1SS133	SILICON	ROHM	
D113	MTZ5.6JC	ZENER	ROHM	
D115	MTZ13JC	ZENER	ROHM	
D116	MTZ13JC	ZENER	ROHM	
D117	MTZ6.8JC	ZENER	ROHM	
D211	SLR-34VR3F	L.E.D.	ROHM	
D212	SLR-34DU3F	L.E.D.	ROHM	
D213	SLR-34DU3F	L.E.D.	ROHM	
D214	SLR-34DU3F	L.E.D.	ROHM	
D215	SLR-34DU3F	L.E.D.	ROHM	

CAPACITORS

ITEM	PART NUMBER	DESCRIPTION		AREA	
C001	QCZ9019-472	4700PF	400V	CERAMIC	F
C001	QCZ9019-472	4700PF	400V	CERAMIC	G
C001	QCZ9019-472BS	4700PF	400V	CERAMIC	HBS
C101	QFS81HJ-221	220PF	50V	POLY	G
C102	QFS81HJ-221	220PF	50V	POLY	G
C103	QCS21HJ-221	220PF	50V	CERAMIC	G
C104	QCS21HJ-221	220PF	50V	CERAMIC	G
C105	QCS21HJ-221	220PF	50V	CERAMIC	G
C106	QCS21HJ-221	220PF	50V	CERAMIC	G
C107	QCS21HJ-221	220PF	50V	CERAMIC	G
C108	QCS21HJ-221	220PF	50V	CERAMIC	G
C109	QCS21HJ-221	220PF	50V	CERAMIC	G
C110	QCS21HJ-221	220PF	50V	CERAMIC	G
C111	QCS21HJ-221	220PF	50V	CERAMIC	G
C112	QCS21HJ-221	220PF	50V	CERAMIC	G

CAPACITORS

ITEM	PART NUMBER	DESCRIPTION		AREA	
C113	QCF21HP-473	0.047MF	50V	CERAMIC	
C114	QCF21HP-223	0.022MF	50V	CERAMIC	
C115	QCF21HP-223	0.022MF	50V	CERAMIC	
C116	QCF21HP-223	0.022MF	50V	CERAMIC	
C117	QCF21HP-223	0.022MF	50V	CERAMIC	
C118	QCF21HP-473	0.047MF	50V	CERAMIC	
C119	QCF21HP-223	0.022MF	50V	CERAMIC	
C121	QCS21HJ-221	220PF	50V	CERAMIC	G
C122	QCS21HJ-221	220PF	50V	CERAMIC	G
C125	QCS21HJ-221	220PF	50V	CERAMIC	G
C126	QCS21HJ-221	220PF	50V	CERAMIC	G
C127	QCF21HP-223	0.022MF	50V	CERAMIC	
C131	QETB1EM-107	100MF	25V	ELECTRO	
C132	QETB1EM-107	100MF	25V	ELECTRO	
C133	QETB1HM-475	4.7MF	50V	ELECTRO	
C146	QFN81HJ-562	5600PF	50V	MYLAR	
C147	EEZ0502-479	0.047F	5.5V	ELECTRO	
C148	QFN81HJ-562	5600PF	50V	MYLAR	
C149	QFN81HK-473	0.047MF	50V	MYLAR	
C150	QETB1HM-225	2.2MF	50V	ELECTRO	
C151	QCS21HJ-331	330PF	50V	CERAMIC	
C152	QETB1CM-226	22MF	16V	ELECTRO	
C153	QETB1HM-475	4.7MF	50V	ELECTRO	
C154	QETB1CM-107	100MF	16V	ELECTRO	
C155	QETB1HM-474	0.47MF	50V	ELECTRO	
C159	QCS21HJ-101	100PF	50V	CERAMIC	G
C160	QCS21HJ-101	100PF	50V	CERAMIC	G
C161	QCS21HJ-221	220PF	50V	CERAMIC	G
C162	QCS21HJ-221	220PF	50V	CERAMIC	G
C201	QFN81HK-333	0.033MF	50V	MYLAR	
C202	QFN81HK-333	0.033MF	50V	MYLAR	
C203	QCS21HJ-181	180PF	50V	CERAMIC	
C204	QCS21HJ-181	180PF	50V	CERAMIC	
C205	QCS21HJ-470	47PF	50V	CERAMIC	G
C206	QCS21HJ-470	47PF	50V	CERAMIC	G
C303	QCS21HJ-151	150PF	50V	CERAMIC	
C304	QCS21HJ-151	150PF	50V	CERAMIC	
C305	QFN81HK-103	0.01MF	50V	MYLAR	
C306	QFN81HK-103	0.01MF	50V	MYLAR	
C307	QCS21HJ-331	330PF	50V	CERAMIC	G
C307	QCS21HJ-470	47PF	50V	CERAMIC	E
C307	QCS21HJ-470	47PF	50V	CERAMIC	F
C307	QCS21HJ-470	47PF	50V	CERAMIC	HBS
C308	QCS21HJ-331	330PF	50V	CERAMIC	G
C308	QCS21HJ-470	47PF	50V	CERAMIC	E
C308	QCS21HJ-470	47PF	50V	CERAMIC	F
C308	QCS21HJ-470	47PF	50V	CERAMIC	HBS
C309	QFN81HK-392	3900PF	50V	MYLAR	
C310	QFN81HK-392	3900PF	50V	MYLAR	
C311	QFN81HK-822	8200PF	50V	MYLAR	
C312	QFN81HK-822	8200PF	50V	MYLAR	
C313	QCS21HJ-101	100PF	50V	CERAMIC	E
C313	QCS21HJ-101	100PF	50V	CERAMIC	F
C313	QCS21HJ-101	100PF	50V	CERAMIC	HBS
C313	QCS21HJ-330	33PF	50V	CERAMIC	G
C314	QCS21HJ-101	100PF	50V	CERAMIC	E
C314	QCS21HJ-101	100PF	50V	CERAMIC	F
C314	QCS21HJ-101	100PF	50V	CERAMIC	HBS
C314	QCS21HJ-330	33PF	50V	CERAMIC	G
C315	QFN81HK-473	0.047MF	50V	MYLAR	
C316	QFN81HK-473	0.047MF	50V	MYLAR	
C317	QETB0JM-228	2200MF	6.3V	ELECTRO	
C318	QETB0JM-228	2200MF	6.3V	ELECTRO	
C319	QFN81HJ-472	4700PF	50V	MYLAR	
C320	QFN81HJ-472	4700PF	50V	MYLAR	
C321	QCS21HJ-331	330PF	50V	CERAMIC	
C322	QCS21HJ-331	330PF	50V	CERAMIC	
C323	QFN81HJ-153	0.015MF	50V	MYLAR	
C324	QFN81HJ-153	0.015MF	50V	MYLAR	
C325	QFN81HJ-272	2700PF	50V	MYLAR	
C326	QFN81HJ-272	2700PF	50V	MYLAR	
C327	EETB2AM-106E	10MF	100V	ELECTRO	
C328	EETB2AM-106E	10MF	100V	ELECTRO	
C331	QCY21HK-222	2200PF	50V	CERAMIC	G
C332	QCY21HK-222	2200PF	50V	CERAMIC	G

RESISTORS

ITEM	PART NUMBER	DESCRIPTION		AREA	
R101	QRD161J-4R7	4.7	1/6W	CARBON	
R103	QRD161J-104	100K	1/6W	CARBON	
R104	QRD161J-104	100K	1/6W	CARBON	
R105	QRD161J-471	470	1/6W	CARBON	
R106	QRD161J-471	470	1/6W	CARBON	

△ : SAFETY PARTS

RESISTORS

△	ITEM	PART NUMBER	DESCRIPTION			AREA
	R111	QRD161J-471	470	1/6W	CARBON	
	R112	QRD161J-471	470	1/6W	CARBON	
	R113	QRD161J-471	470	1/6W	CARBON	
	R114	QRD161J-471	470	1/6W	CARBON	
	R115	QRD161J-471	470	1/6W	CARBON	
	R116	QRD161J-471	470	1/6W	CARBON	
	R117	QRD161J-471	470	1/6W	CARBON	
	R117	QRD161J-471	470	1/6W	CARBON	E
	R117	QRD161J-471	470	1/6W	CARBON	F
	R117	QRD161J-182	1.8K	1/6W	CARBON	HBS
	R118	QRD161J-471	470	1/6W	CARBON	G
	R118	QRD161J-471	470	1/6W	CARBON	E
	R118	QRD161J-182	1.8K	1/6W	CARBON	F
	R119	QRD161J-471	470	1/6W	CARBON	HBS
	R120	QRD161J-471	470	1/6W	CARBON	C
△	R123	QRZ0077-101	100	1/4W	FUSIBLE	
△	R124	QRZ0077-101	100	1/4W	FUSIBLE	
	R126	QRD161J-104	100K	1/6W	CARBON	
	R127	QRD161J-104	100K	1/6W	CARBON	
	R131	QRD161J-103	10K	1/6W	CARBON	
	R132	QRD161J-103	10K	1/6W	CARBON	
	R133	QRD161J-105	1M	1/6W	CARBON	
	R134	QRD161J-103	10K	1/6W	CARBON	
	R135	QRD161J-474	470K	1/6W	CARBON	
	R136	QRD161J-562	5.6K	1/6W	CARBON	
	R137	QRD161J-473	47K	1/6W	CARBON	
	R138	QRD161J-392	3.9K	1/6W	CARBON	
	R139	QRD161J-104	100K	1/6W	CARBON	
	R140	QRD161J-104	100K	1/6W	CARBON	
	R141	QRD161J-223	22K	1/6W	CARBON	
	R143	QRD161J-102	1K	1/6W	CARBON	
	R144	QRD161J-102	1K	1/6W	CARBON	
	R146	QRD161J-122	1.2K	1/6W	CARBON	
	R147	QRD161J-473	47K	1/6W	CARBON	
	R148	QRD161J-273	27K	1/6W	CARBON	
	R149	QRD148J-182S	1.8K	1/4W	CARBON	
	R150	QRD148J-182S	1.8K	1/4W	CARBON	
	R201	QRD161J-562	5.6K	1/6W	CARBON	
	R202	QRD161J-562	5.6K	1/6W	CARBON	
	R203	QRD161J-472	4.7K	1/6W	CARBON	
	R204	QRD161J-472	4.7K	1/6W	CARBON	
	R205	QVDA98W-EF5B			VARIABLE	
	R207	QRD161J-223	22K	1/6W	CARBON	
	R208	QRD161J-223	22K	1/6W	CARBON	
	R209	QRD161J-105	1M	1/6W	CARBON	
	R210	QRD161J-105	1M	1/6W	CARBON	
	R211	QVDB98B-EF5C			VARIABLE	
	R251	QRD161J-122	1.2K	1/6W	CARBON	
	R252	QRD161J-122	1.2K	1/6W	CARBON	
	R253	QRD161J-122	1.2K	1/6W	CARBON	
	R254	QRD161J-122	1.2K	1/6W	CARBON	
	R255	QRD161J-122	1.2K	1/6W	CARBON	
	R256	QRD161J-122	1.2K	1/6W	CARBON	
	R257	QRD161J-122	1.2K	1/6W	CARBON	
	R258	QRD161J-122	1.2K	1/6W	CARBON	
	R259	QRD161J-122	1.2K	1/6W	CARBON	
	R260	QRD161J-122	1.2K	1/6W	CARBON	
	R265	QRD161J-104	100K	1/6W	CARBON	
	R301	QRD161J-102	1K	1/6W	CARBON	G
	R302	QRD161J-102	1K	1/6W	CARBON	G
	R303	QRD161J-473	47K	1/6W	CARBON	
	R304	QRD161J-473	47K	1/6W	CARBON	
	R305	QRD161J-471	470	1/6W	CARBON	
	R306	QRD161J-471	470	1/6W	CARBON	
	R307	QRD161J-5R6	5.6	1/6W	CARBON	
	R308	QRD161J-5R6	5.6	1/6W	CARBON	
	R309	QRD161J-101	100	1/6W	CARBON	
	R310	QRD161J-101	100	1/6W	CARBON	
	R311	QRD161J-562	5.6K	1/6W	CARBON	
	R312	QRD161J-562	5.6K	1/6W	CARBON	
	R313	QRD161J-270	27	1/6W	CARBON	
	R314	QRD161J-270	27	1/6W	CARBON	
	R315	QRD161J-561	560	1/6W	CARBON	
	R316	QRD161J-561	560	1/6W	CARBON	
	R317	QRD161J-562	5.6K	1/6W	CARBON	
	R318	QRD161J-562	5.6K	1/6W	CARBON	
	R319	QRD161J-222	2.2K	1/6W	CARBON	
	R320	QRD161J-222	2.2K	1/6W	CARBON	
	R321	QRD161J-272	2.7K	1/6W	CARBON	
	R322	QRD161J-272	2.7K	1/6W	CARBON	
	R323	QRD161J-273	27K	1/6W	CARBON	
	R324	QRD161J-273	27K	1/6W	CARBON	
	R325	QRD161J-273	27K	1/6W	CARBON	
	R326	QRD161J-273	27K	1/6W	CARBON	
	R327	QRD161J-150	15	1/6W	CARBON	G
	R327	QRD161J-180	18	1/6W	CARBON	E
	R327	QRD161J-180	18	1/6W	CARBON	F

RESISTORS

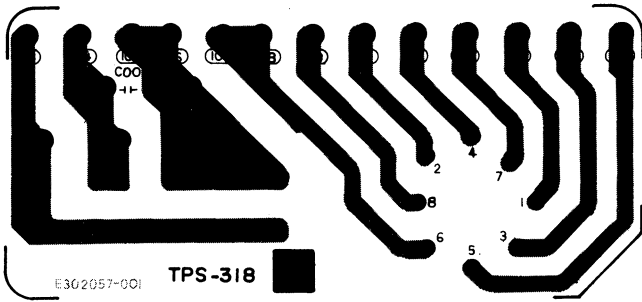
△	ITEM	PART NUMBER	DESCRIPTION			AREA
	R327	QRD161J-180	18	1/6W	CARBON	HBS
	R328	QRD161J-150	15	1/6W	CARBON	G
	R328	QRD161J-180	18	1/6W	CARBON	E
	R328	QRD161J-180	18	1/6W	CARBON	F
	R328	QRD161J-180	18	1/6W	CARBON	HBS
	R329	QRD161J-221	220	1/6W	CARBON	
	R330	QRD161J-221	220	1/6W	CARBON	
	R331	QRD161J-153	15K	1/6W	CARBON	
	R332	QRD161J-153	15K	1/6W	CARBON	
	R333	QRD161J-184	180K	1/6W	CARBON	
	R334	QRD161J-184	180K	1/6W	CARBON	
	R335	QRD161J-331	330	1/6W	CARBON	
	R336	QRD161J-331	330	1/6W	CARBON	
	R337	QRD161J-104	100K	1/6W	CARBON	
	R338	QRD161J-104	100K	1/6W	CARBON	

OTHERS

△	ITEM	PART NUMBER	DESCRIPTION			AREA
		EMG7331-001	FUSE CLIP			
		ENZ2006-001	SHIELD CASE			G
		E03532-001	SHIELD CASE			G
		E11418-002	C. BOARD			E
		E11418-002	CIRCUIT BOARD			F
		E11418-002	CIRCUIT BOARD			G
		E11418-002BS	CIRCUIT BOARD			HBS
		E65508-002	TAB			F
		E65508-002	TAB			G
		E65508-002	TAB			HBS
		E67132-T3R15	FUSE LABEL			
		E67132-T5R0	FUSE LABEL			E
		E67764-202	R. TERMINAL			
		E67764-203	TERMINAL ASSY			F
		E67764-203	TERMINAL ASSY			G
		E67764-203	TERMINAL ASSY			HBS
	J101	EMN00TV-405A	PIN JACK ASSY			
	J102	EMN00TV-402A	PIN JACK ASSY			
	J103	EMN00TV-402A	PIN JACK ASSY			
	J104	EMN00TP-404A	PIN JACK ASSY			
	J105	E03623-003	DIN SOCKET			
	J109	EMV7112-009	SOCKET			
	L301	EQL0111-391	INDUCTOR			G
	L302	EQL0111-391	INDUCTOR			G
	S201	ESPO001-007	PUSH SWITCH			
	S202	ESPO001-007	PUSH SWITCH			
	S203	ESPO001-007	PUSH SWITCH			
	S204	ESPO001-007	PUSH SWITCH			
	S205	ESPO001-007	PUSH SWITCH			
	S206	QST4261-E11	PUSH SWITCH			
	S207	QST4261-E11	PUSH SWITCH			
	S208	QST4102-E08	PUSH SWITCH			
	S209	QST4102-E08	PUSH SWITCH			

△ : SAFETY PARTS

■ **TPS-318** **B** Voltage Selector PC Board Ass'y



(Except for Europe, Australia, West Germany, U.K.)

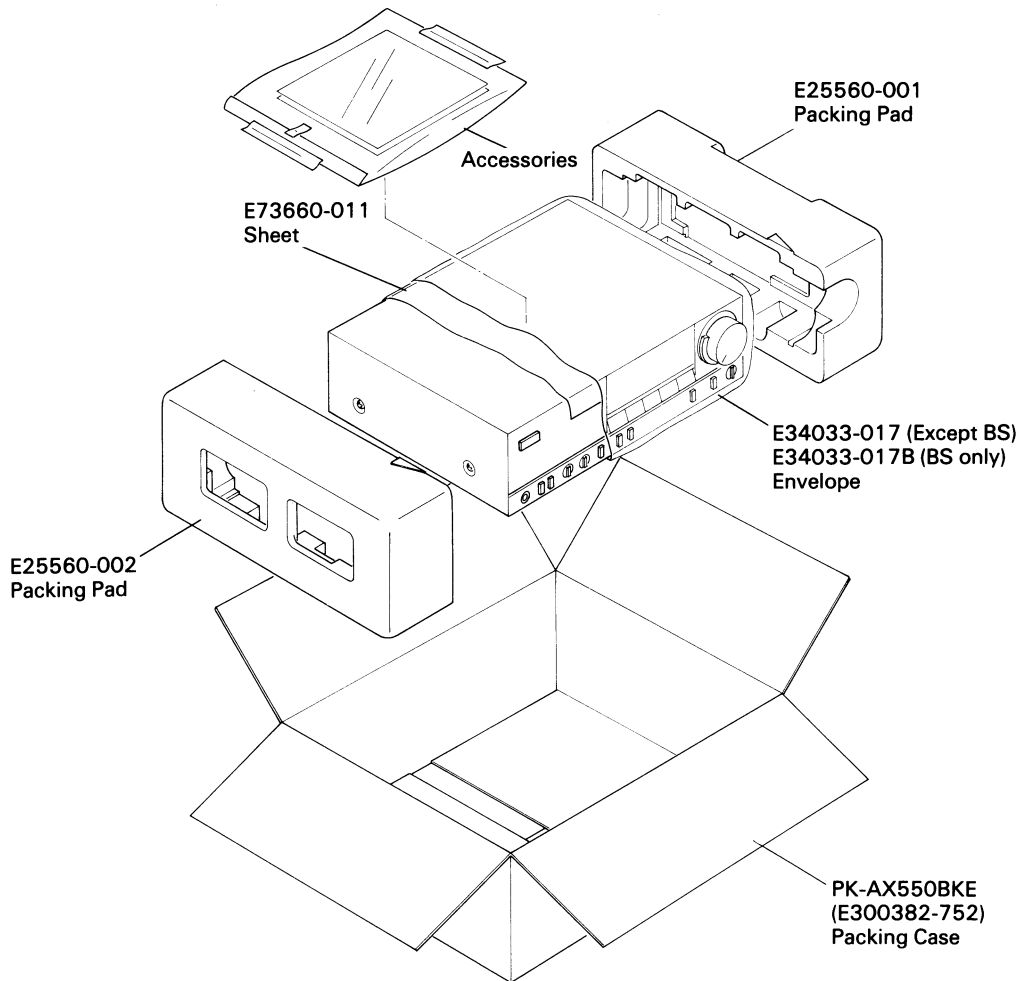
CAPACITORS

ITEM	PART NUMBER	DESCRIPTION			AREA
C001	QFH53BM-103M	0.01MF	250V	M.MYLAR	

OTHERS

ITEM	PART NUMBER	DESCRIPTION			AREA
	E302057-001	CIR. BOARD			
	E43727-001	TAB			
	E65508-001	TAB			
	QMC0637-004	AC SOCKET			
	QSR0085-006U	V.SELECTOR			

Packing Materials and Parts Numbers



Accessories List

△	Item No.	Part Number	Part Name	Q'ty	Description	Areas
		E30580-1366A	Instruction Book	1		P, PG, E, A, G, U
		E30580-1366ABS	Instruction Book	1		BS
		BT20046C	Service Information Card	1		P, PG
		BT20048C	Warranty Card	1		P, PG
		BT20029C	Warranty Card	1	for Australia	A
		BT20098	Warranty Card	1	for New Zealand	A
		BT20064	Warranty Card	1		G
		BT20066	EEC AGENCY	1		G, BS
		BT20060	Warranty Card	1		BS
		QZL1008-001	FTZ Information Sheet	1		G
		E04056	Siemens Plug	1		PG, U
		E41202-2	Envelope	1		P, PG, E, A, G, U
		E41202-2B	Envelope	1		BS

△: Safety Parts

The Marks for Designated Areas

- P, PG..... U.S. Military Market
- E Europe
- A Australia
- G West Germany
- BS U.K.
- U Other Countries




No mark indicates all areas.

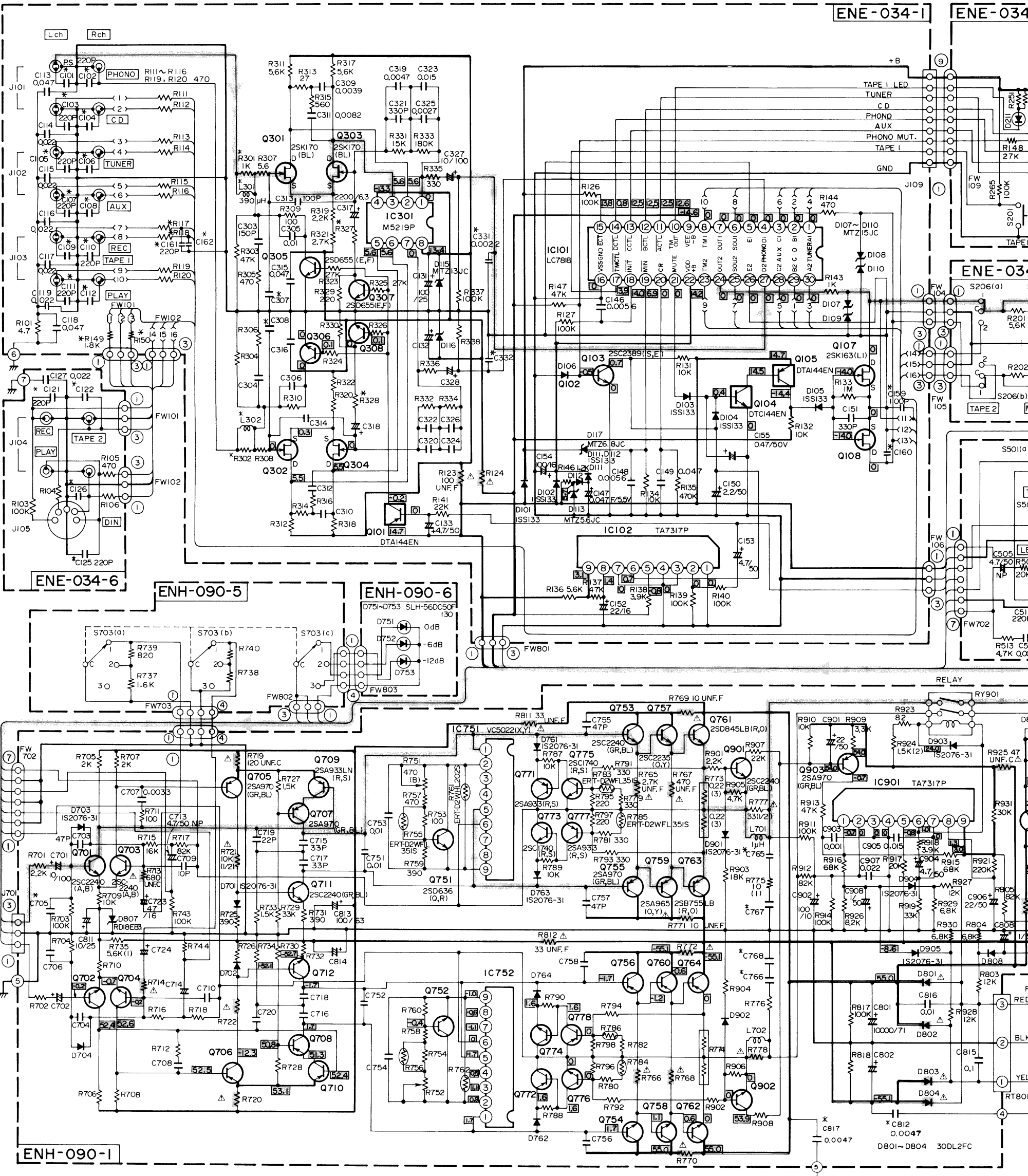
AX-550BK

MEMO

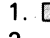
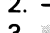

Schematic Diagram


Notes:

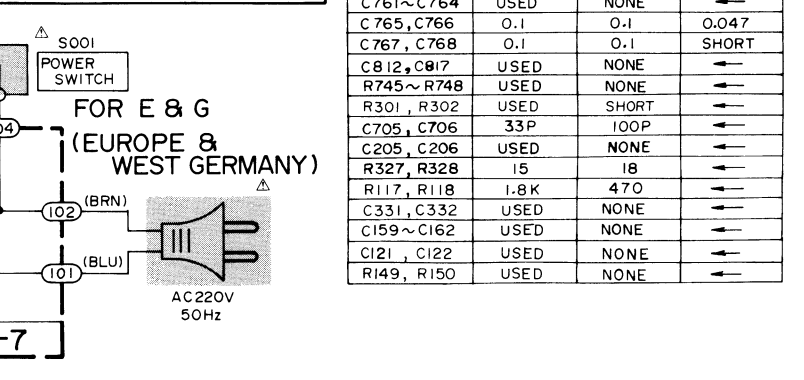
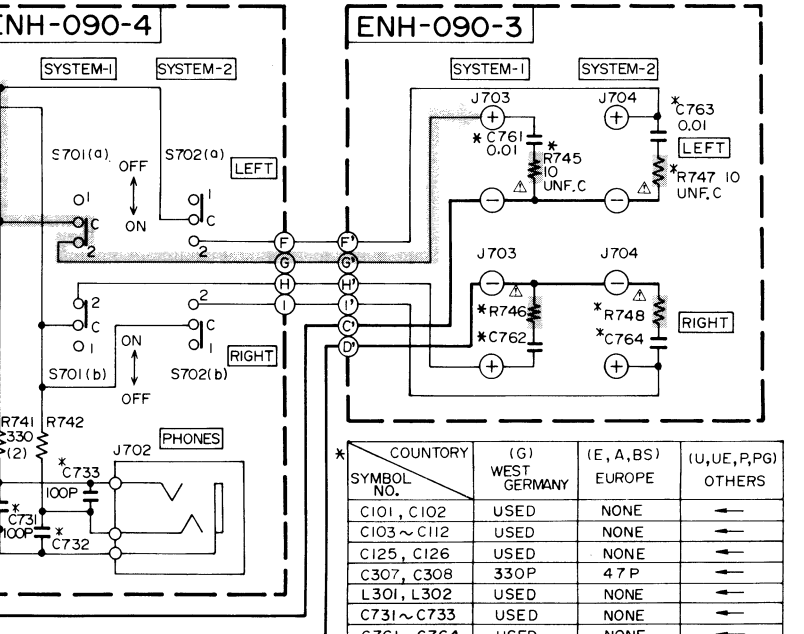
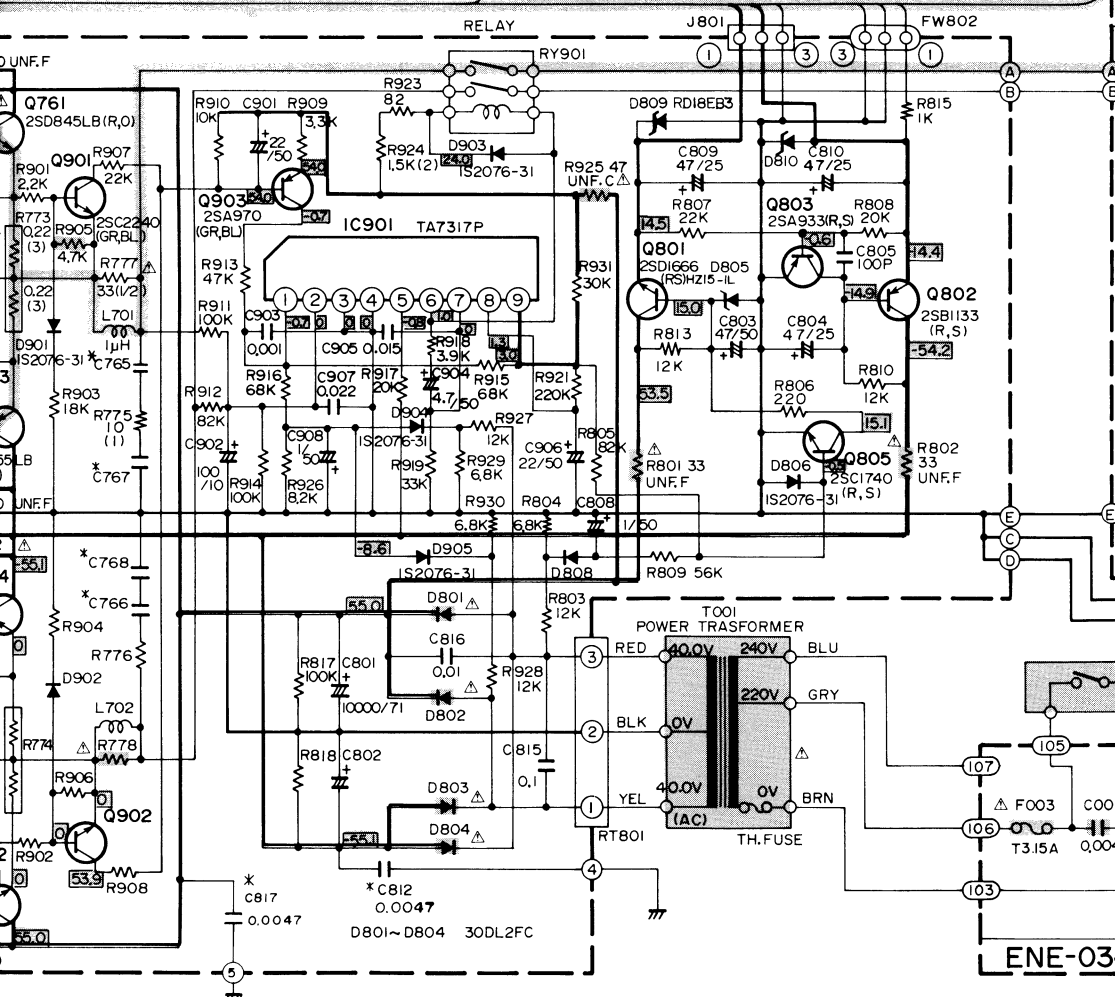
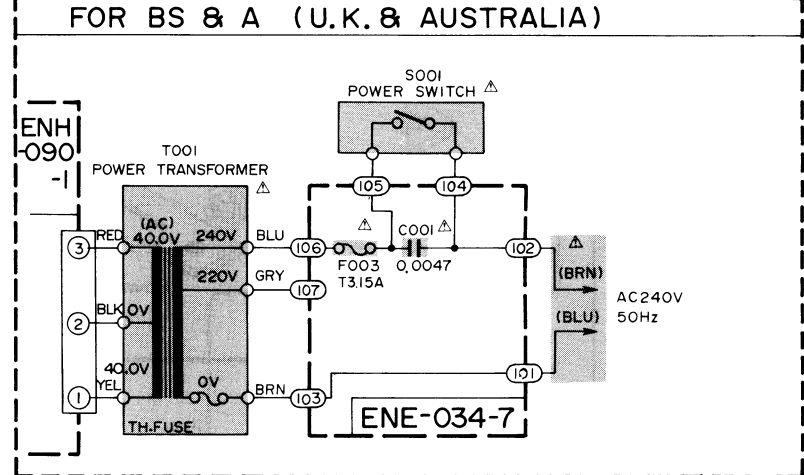
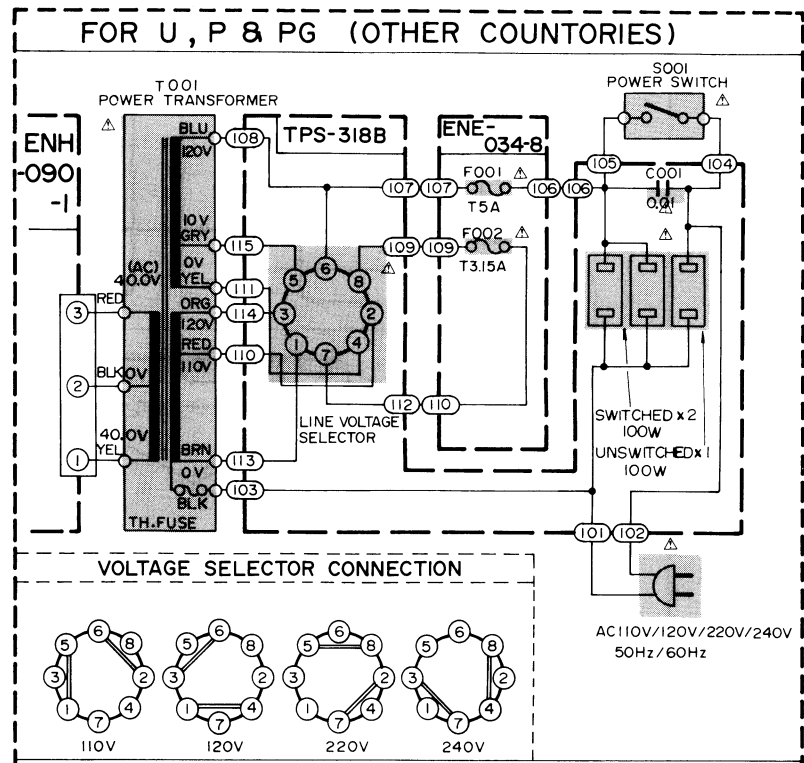
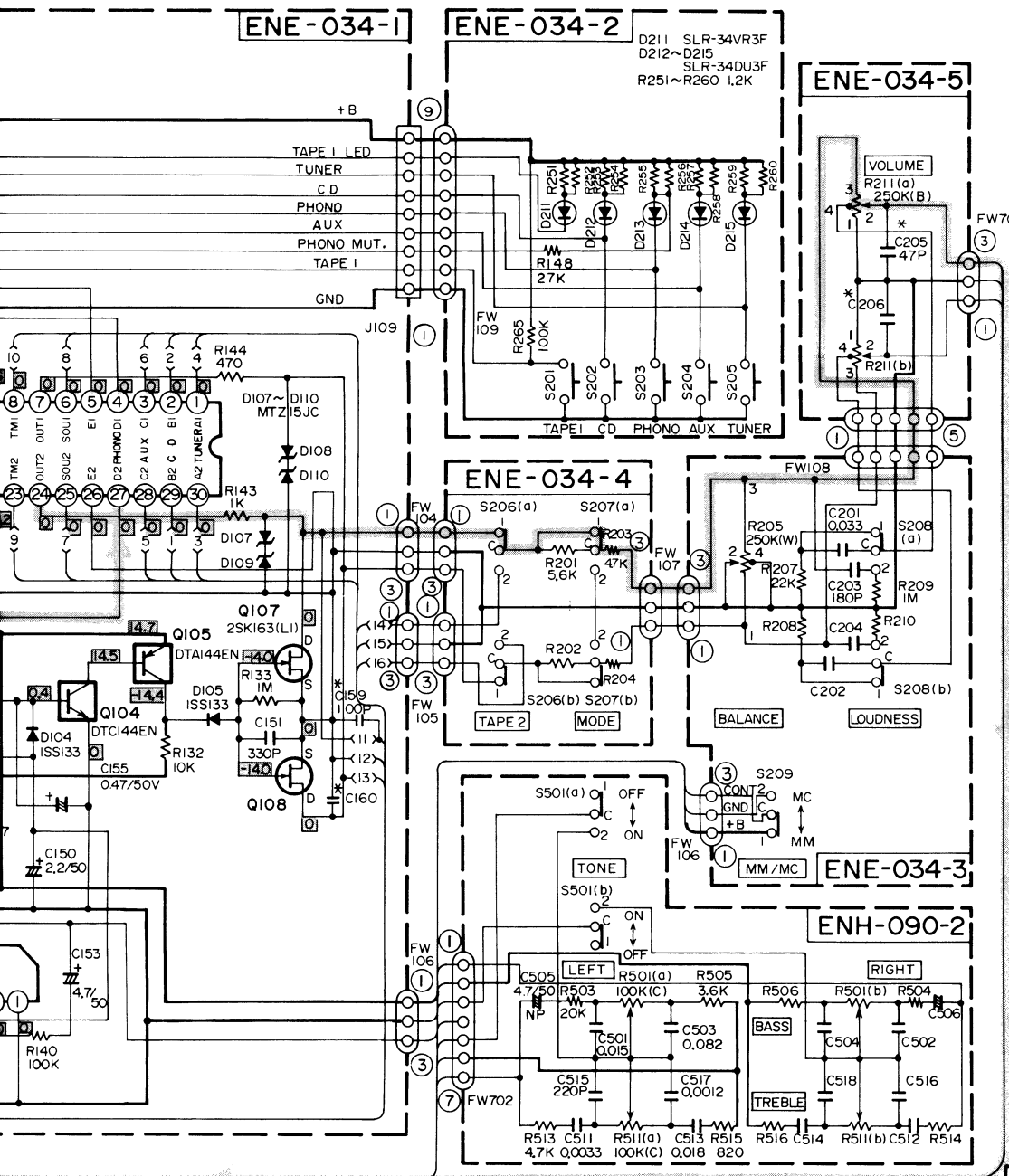
1.  shows DC voltage
2.  indicates \pm B power
3.  indicates signal path



Notes:

1.  shows DC voltage to the chassis with no signal input.
2.  indicates ± B power supply.
3.  indicates signal path.

4. When replacing the parts in the darkened area () and those marked with Δ , be sure to use the designated parts to ensure safety.
5. This is the standard circuit diagram. The design and contents are subject to change without notice.



COUNTRY SYMBOL NO.	(G) WEST GERMANY	(E, A, BS) EUROPE	(U, UE, P, PG) OTHERS
C101, C102	USED	NONE	←
C103 ~ C112	USED	NONE	←
C125, C126	USED	NONE	←
C307, C308	330P	47P	←
L301, L302	USED	NONE	←
C731 ~ C733	USED	NONE	←
C761 ~ C764	USED	NONE	←
C765, C766	0.1	0.1	0.047
C767, C768	0.1	0.1	SHORT
C812, C817	USED	NONE	←
R745 ~ R748	USED	NONE	←
R301, R302	USED	SHORT	←
C705, C706	33P	100P	←
C205, C206	USED	NONE	←
R327, R328	15	18	←
R117, R118	1.8K	470	←
C331, C332	USED	NONE	←
C159 ~ C162	USED	NONE	←
C121, C122	USED	NONE	←
R149, R150	USED	NONE	←

Connection Diagram

